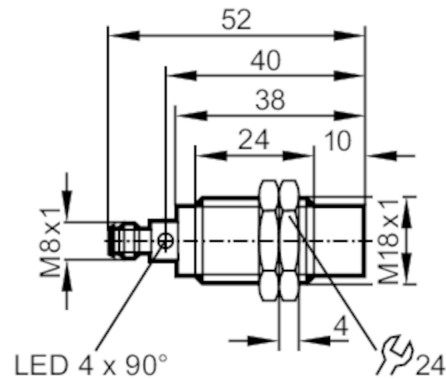




Inductive sensor

IGB3012-BPKG/M/AS-514-TPS



Product characteristics

| | |
|--------------------|------------------|
| Electrical design | PNP |
| Output function | normally open |
| Sensing range [mm] | 12 |
| Housing | threaded type |
| Dimensions [mm] | M18 x 1 / L = 52 |

Application

| | |
|-----------------|---|
| Special feature | Gold-plated contacts; Increased sensing range |
| Application | Industrial applications / factory automation |

Electrical data

| | |
|-----------------------------|------------|
| Operating voltage [V] | 10...36 DC |
| Current consumption [mA] | < 10 |
| Protection class | III |
| Reverse polarity protection | yes |

Outputs

| | |
|--|---------------|
| Electrical design | PNP |
| Output function | normally open |
| Max. voltage drop switching output DC [V] | 2.5 |
| Permanent current rating of switching output DC [mA] | 100 |
| Switching frequency DC [Hz] | 400 |
| Short-circuit protection | yes |
| Type of short-circuit protection | pulsed |
| Overload protection | yes |

IGS211



Inductive sensor

IGB3012-BPKG/M/AS-514-TPS

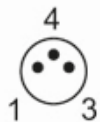
| Detection zone | | |
|--|---------------------------|---|
| Sensing range | [mm] | 12 |
| Real sensing range Sr | [mm] | 12 ± 10 % |
| Operating distance | [mm] | 0...9.7 |
| Increased sensing range | | yes |
| Accuracy / deviations | | |
| Correction factor | | steel: 1 / stainless steel: 0.7 / brass: 0.5 / aluminium: 0.4 / copper: 0.3 |
| Hysteresis | [% of Sr] | 3...15 |
| Switch point drift | [% of Sr] | -10...10 |
| Operating conditions | | |
| Ambient temperature | [°C] | -25...70 |
| Protection | | IP 67; (if screwed on) |
| Tests / approvals | | |
| EMC | EN 61000-4-2 ESD | 4 kV CD / 8 kV AD |
| | EN 61000-4-3 HF radiated | 10 V/m |
| | EN 61000-4-4 Burst | 2 kV |
| | EN 61000-4-6 HF conducted | 10 V |
| | EN 55011 | class B |
| MTTF | [years] | 1935 |
| UL approval | Ta | -25...70 °C |
| | Enclosure type | Type 1 |
| | voltage supply | Class 2 |
| | File number UL | E174191 |
| Mechanical data | | |
| Weight | [g] | 52.9 |
| Housing | | threaded type |
| Mounting | | non-flush mountable |
| Dimensions | [mm] | M18 x 1 / L = 52 |
| Thread designation | | M18 x 1 |
| Materials | | brass white bronze coated; sensing face: PBT |
| Displays / operating elements | | |
| Display | switching status | 4 x 90° LED, yellow |
| Accessories | | |
| Accessories (supplied) | | lock nuts: 2 |
| Remarks | | |
| Pack quantity | | 1 pcs. |
| Electrical connection - plug | | |
| Connector: 1 x M8; Contacts: gold-plated | | |

IGS211



Inductive sensor

IGB3012-BPKG/M/AS-514-TPS



Connection

