

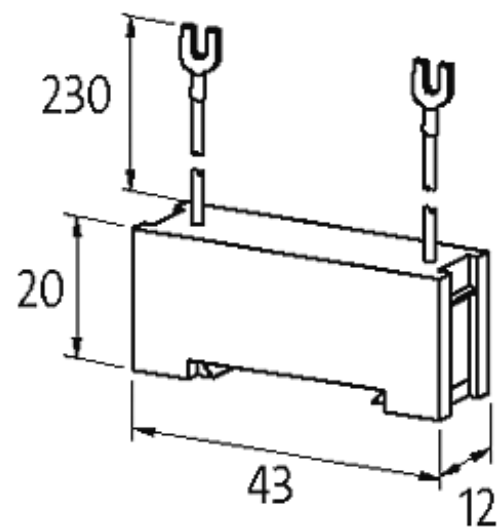
UNIVERSAL CONTACTOR SUPPRESSOR

RC, 230VAC/DC/25VA/W

230 V AC/DC

RC

For other configurations and voltages, please inquire

[Link to Product](#)**Illustration**



RC

Product may differ from Image

Approvals



Appropriate contactors

universal

Technical Data

| | |
|------------------|---|
| Damping factor | approx. 1.5 × UN |
| Material | Flame retardant plastic acc. to (UL 94) |
| Connection wires | self-securing cable forks |
| Max. power (W) | 25 W(VA) |

General data

| | |
|----------------------|--------------|
| Temperature range | -20...+70 °C |
| Dimensions H × W × D | 20×43×12 mm |

Commercial data

| | |
|------------------------|----------|
| country of origin | CZ |
| customs tariff number | 85363010 |
| minimum order quantity | 1 |