

Data sheet Actuator.

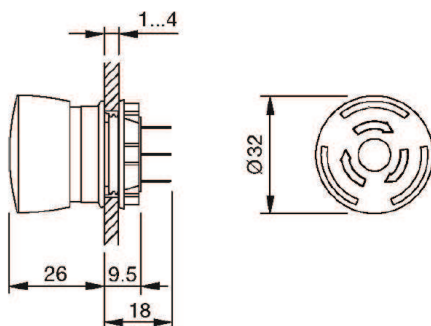
Part No.: 84-5341.2B20

Technical data

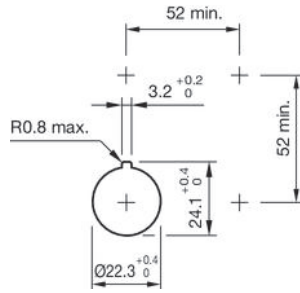


Terminal	Plug-in terminal
Illuminative colour	Red
Operating voltage (LED)	5 - 30 V DC
Operation current (LED)	9,7 - 12,4 mA
Lens illumination	illuminative
Lens colour	Red
Lens shape	mushroom-head
Lens material	Plastic
Lens optics	opaque
Housing colour	Yellow
Housing material	Plastic
Weight	0.028 kg
Contacts normally close	2 NC
Contact material	Gold-plated silver
Illumination colour	Red
Material	Plastic
Switching action	Maintained
Switching voltage	250 V
Switching system	Slow-make switching element
Hints	
	<ul style="list-style-type: none"> ▪ Twist to unlock clockwise
Product attributes	
	<ul style="list-style-type: none"> ▪ Twist to unlock clockwise, position indication ring green

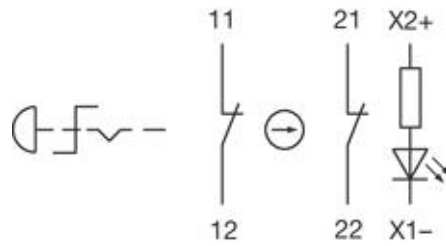
Dimensions



Mounting cut-outs



Wiring diagrams



Component layouts

