

## General Specifications

### Motor Protection:

Auto Restart/Polarity Protection

### Insulation Resistance:

10M Ω or over with a DC500V Megger

### Dielectric Withstand Voltage: AC 700V 1s

### Allowable Ambient Temperature Range:

-10°C ~ +70°C (Operating)

-40°C ~ +70°C (Storage)

(non-condensing environment)

## Expected Life

40°C 50,000 Hours (L10)

## Material

Casing : Plastic (Black) UL94V-0

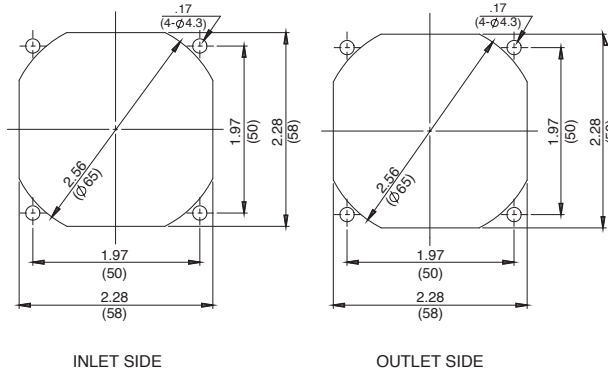
Impeller : Plastic (Black) UL94V-0

Bearing : Sleeve Bearing

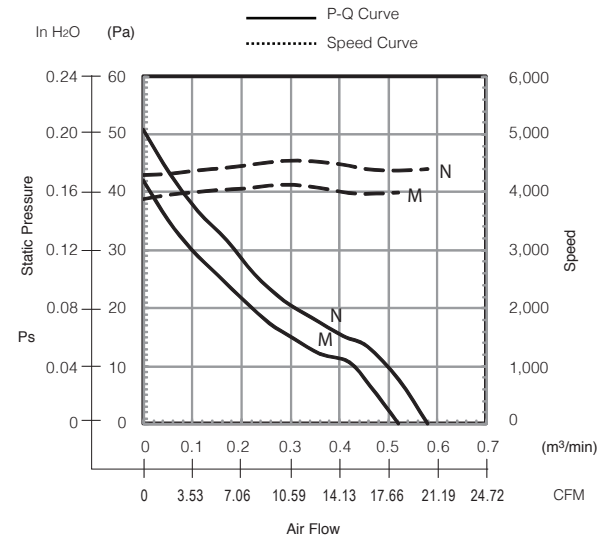
Lead Wire : UL1007, AWG26, +Red, -Black

## Panel Cut-Outs

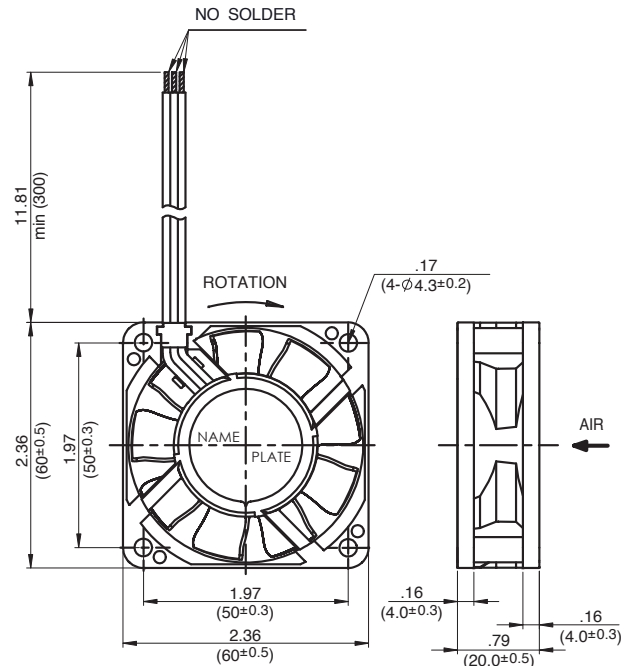
Units:  $\frac{\text{inch}}{\text{mm}}$



## Characteristic Curves



## Outline



## Specifications

MODEL	Rated Voltage	Operating Voltage	Current	Input Power	Speed	Max. Air Flow		Max. Static Pressure		Noise	Mass
	(V)	(V)	(A) <sup>*1</sup>	(W) <sup>*1</sup>	(min <sup>-1</sup> ) <sup>*1</sup>	CFM <sup>*1</sup>	(m <sup>3</sup> /min) <sup>*1</sup>	in H <sub>2</sub> O	(Pa) <sup>*1</sup>	(dB) <sup>*1</sup>	(g)
06020SS-12M-AT-00	12	6.0 ~ 13.8	0.08	0.96	4000	18.36	.52	.17	42.6	28.5	56
06020SS-12N-AT-00	12	6.0 ~ 13.8	0.09	1.08	4400	20.48	.58	.21	52.1	30.5	56
06020SS-24M-AT-00	24	12.0 ~ 27.6	0.06	1.44	4000	18.36	.52	.16	40.0	28.5	56
06020SS-24P-AT-00€	24	12.0 ~ 27.6	0.07	1.68	4400	20.48	.58	.20	49.1	30.5	56

Rotation: Clockwise

Airflow Outlet: Air Out Over Struts

\*1: Average Values in Free Air

Note: PWM/Locked Rotor/Tach Available