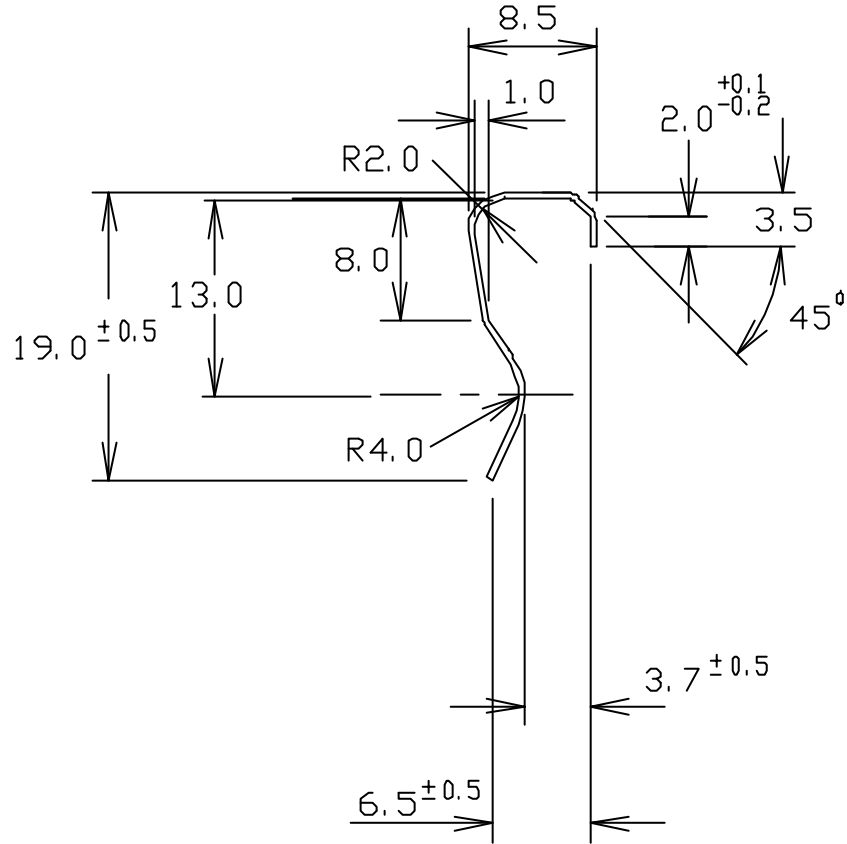
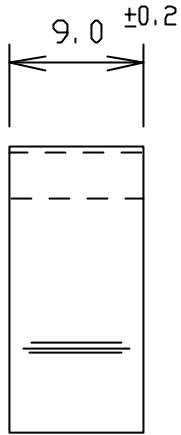


THIS DOCUMENT CONTAINS AAVID THERMALLOY'S INTELLECTUAL PROPERTY WHICH IS SUPPLIED IN CONFIDENCE; IT MUST NOT BE USED FOR ANY PURPOSE OTHER THAN WHICH IT IS SUPPLIED; IT MUST NOT BE REPRODUCED WITHOUT WRITTEN PERMISSION FROM THE OWNERS



UNSPECIFIED INTERNAL RADII = R0.5

UNCONTROLLED DOCUMENT
CORRECT ONLY ON / /



AAVID THERMALLOY
EUROPE www.avidthermalloy.com

Via XXV Aprile 88
40057 Chiusano Bologna
ITALY
Tel. +39 051 784011
Fax +39 051 784080

Cheney Manor
Swindon Wiltshire SN2 2QN
UNITED KINGDOM
Tel. +44 1753 537861
Fax +44 1753 615368

COMPANY WITH QUALITY SYSTEM
CERTIFIED BY LLOYDS
= ISO 9001:2000 =

Die n.	MATERIAL D.4mm BSI 449 CS70 AUST 525-575					DRAWING n.	ZA4525		
Factor	GENERAL TOLERANCES	5	16Dec05	SURFACE FINISH CHANGED FOR ROHS COMPLIANCE. ECF UK2290 REFERS.	SM	Vis. n.	439650		
Perim.	±0.3, ANGLES ±2° UNLESS OTHERWISE STATED	4	01Dec04	SURFACE FINISH CHANGED. ECF UK2162 REFERS.	SM		Description:		
Area	FINISH MECHANICAL ZINC PLATE	3	19Sep94	ANGLE TOL & O/ALL DIM MOD	FF	4525G SLIM T0220 SPRING CLIP			
Weight	TRIVALENT CLEAR PASSIVATE AND JS 500 SEAL	2	10Jun94	3.7 ±0.5 WAS 3.85 ±0.35	TH	Format	Scale	3	
Note:	ALL DIMENSIONS IN MM	1	Feb92	ORIGINAL	FF	Approved	A4	NTS	
		Drawn	FF						
		Check							
REV	Date	Revision description							