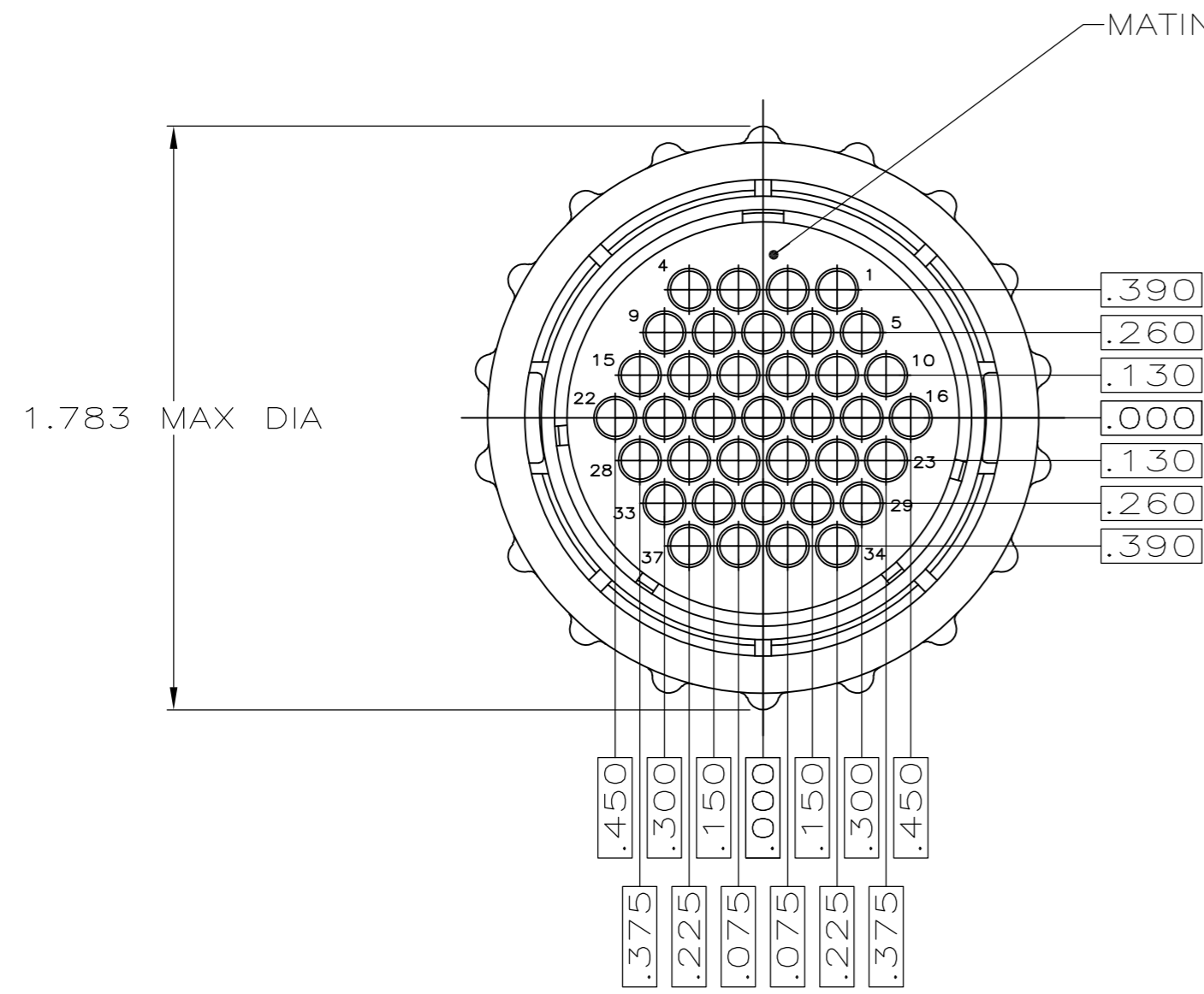
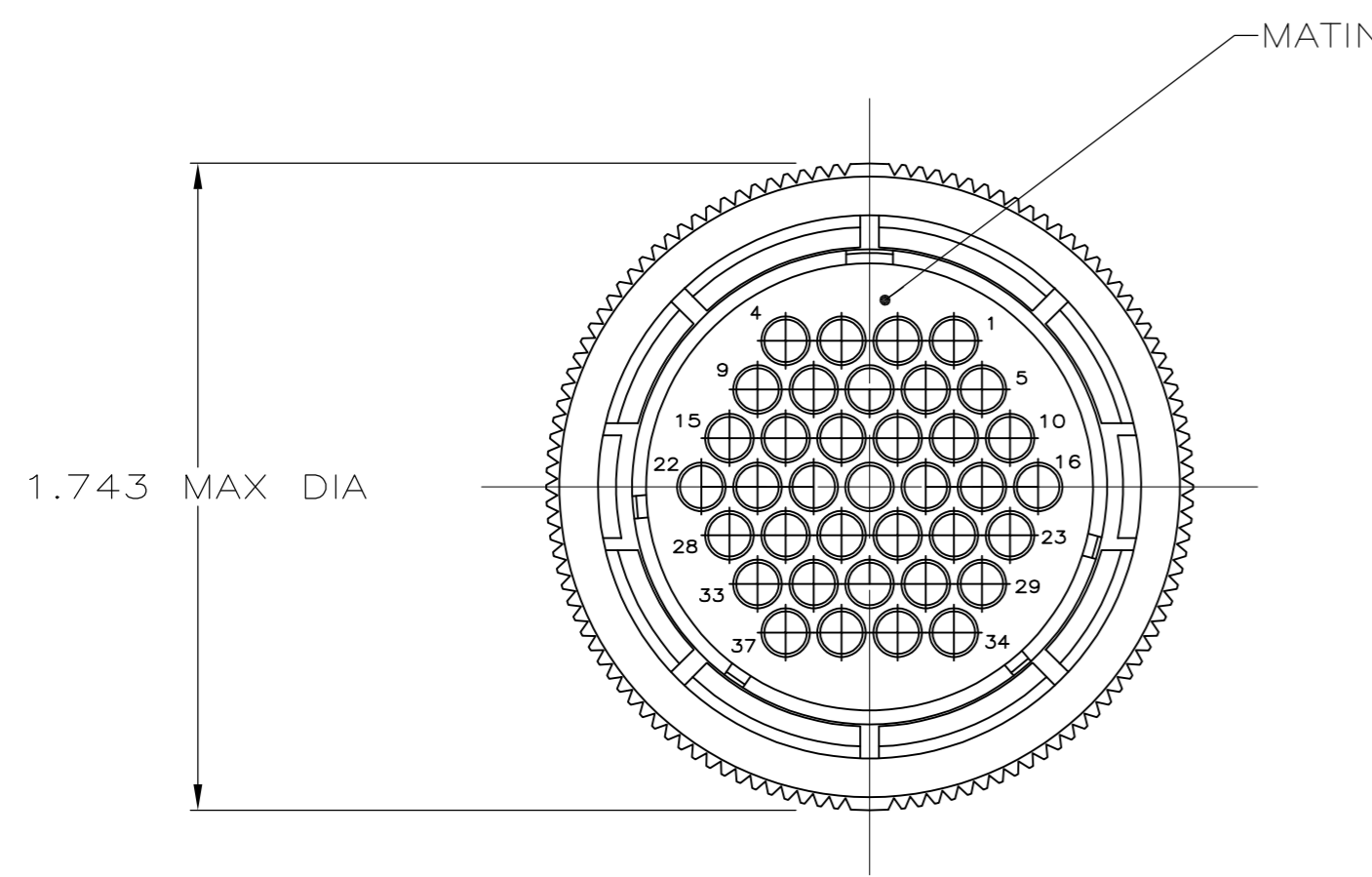
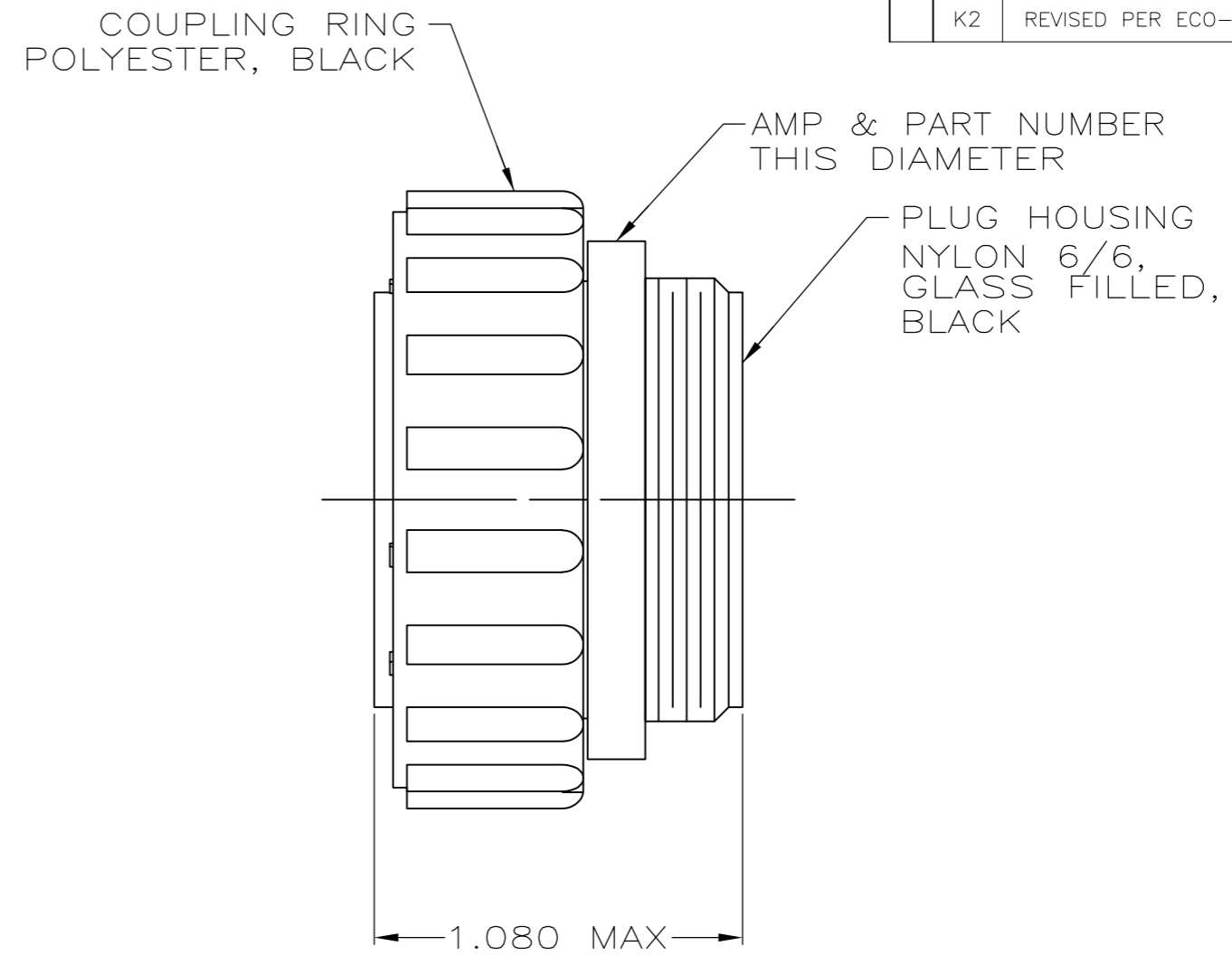


THIS DRAWING IS UNPUBLISHED. RELEASED FOR PUBLICATION
 © COPYRIGHT - By - ALL RIGHTS RESERVED.

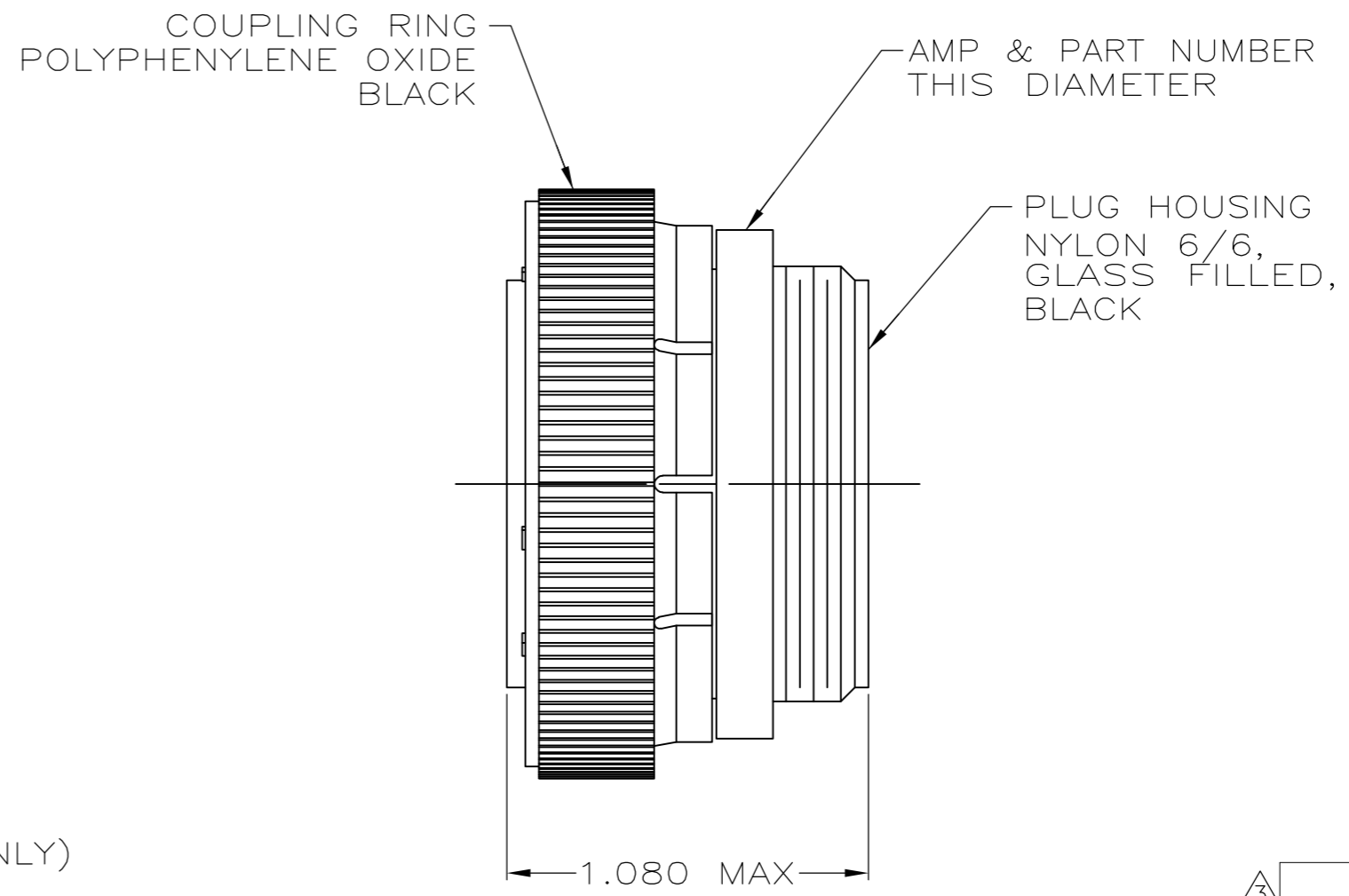
LOC		DIST		REVISIONS			
P	LTR	DESCRIPTION		DATE	DWN	APVD	
FT	0	K2	REVISED PER ECO-11-004587	11MAR11	RK	HMR	



(206150-1, -2 & -6 ONLY)



(206150-3 ONLY)



- CONTACT CAVITIES IDENTIFIED BY CHARACTERS ON FRONT AND REAR FACES OF CONNECTOR.
 - THIS CONNECTOR WILL ACCEPT (37) MULTIMATE SOCKET CONTACTS.
- 3 WHITE DOT NEAR POSITION 1 ON WIRE ENTRY FACE.

STANDARD	206150-6
STANDARD	206150-3
SMALL PACK	206150-2
STANDARD	206150-1
PACKAGING	PART NUMBER

THIS DRAWING IS A CONTROLLED DOCUMENT.		DWN S.RIDGLEY BG 8/2/90	TE TE Connectivity	
DIMENSIONS: INCHES		CHK R.STONE 4-26-91		
TOLERANCES UNLESS OTHERWISE SPECIFIED:		APVD -	NAME	
0 PLC ± -		PRODUCT SPEC -	PLUG ASSEMBLY, SHELL SIZE 23, STANDARD SEX, SERIES 1, CPC	
1 PLC ± -		APPLICATION SPEC -	-	
2 PLC ± -		WEIGHT -	SIZE A2	CAGE CODE 00779
3 PLC ± -		FINISH -	DRAWING NO C=206150	RESTRICTED TO -
4 PLC ± -			SCALE 2:1	SHEET 1 of 1
ANGLES ± -			REV K2	
MATERIAL SEE CALLOUT			CUSTOMER DRAWING	