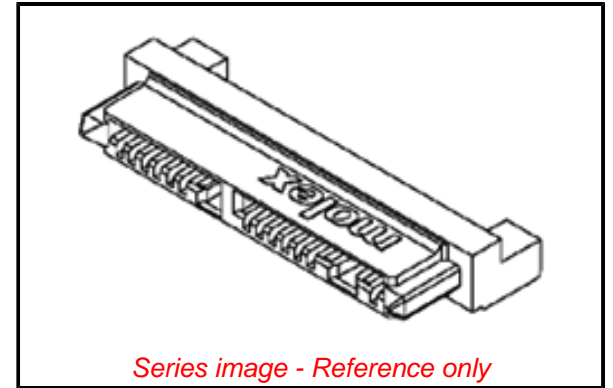


**PLEASE CHECK WWW.MOLEX.COM FOR LATEST PART INFORMATION**

**Part Number:** [0783200002](#)  
**Status:** **Active**  
**Overview:** Serial ATA Connectors  
**Description:** 1.27mm Pitch High Speed Micro Serial ATA Device Receptacle for 45.72mm HDD/SSD, Surface Mount, Right-Angle, Top Mount, with Support Rib, Tape on Reel, Lead-Free

**Documents:**

[3D Model](#) [Product Specification PS-78320-002-001 \(PDF\)](#)  
[3D Model \(PDF\)](#) [Packaging Specification PK-78320-002-001 \(PDF\)](#)  
[Drawing \(PDF\)](#) [RoHS Certificate of Compliance \(PDF\)](#)



**Agency Certification**

CSA LR19980  
 UL E29179

**General**

Product Family PCB Receptacles  
 Series [78320](#)  
 Application Board-to-Board, Signal  
 Comments With Optional Manufacturing Pins (S1 to S7 and P1 to P9)<br>With Central Support Rib on Underside of Housing  
 Overview [Serial ATA Connectors](#)  
 Product Name Micro Serial ATA, Serial ATA  
 UPC 883906370312

**Physical**

Circuits (Loaded) 16  
 Circuits (maximum) 16  
 Color - Resin Black  
 Durability (mating cycles max) 500  
 Flammability 94V-0  
 Glow-Wire Capable No  
 Guide to Mating Part Yes  
 Keying to Mating Part Yes  
 Lock to Mating Part Yes  
 Material - Metal Copper Alloy  
 Material - Plating Mating Gold  
 Material - Plating Termination Tin  
 Material - Resin Nylon  
 Net Weight 1.526/g  
 Number of Rows 1  
 Orientation Right Angle  
 PCB Locator Yes  
 PCB Retention Yes  
 Packaging Type Embossed Tape on Reel  
 Pitch - Mating Interface 1.27mm, 5.08mm  
 Pitch - Termination Interface 1.27mm, 5.08mm  
 Plating min - Mating 0.762µm  
 Plating min - Termination 2.540µm  
 Polarized to Mating Part Yes  
 Polarized to PCB Yes  
 Stackable No  
 Temperature Range - Operating -40° to +105°C  
 Termination Interface: Style Surface Mount

**EU ELV**

**Not Relevant**

**EU RoHS**

**Compliant**

**REACH SVHC**

Not Contained Per -  
 D(2021)4569-DC (8  
 July 2021)

**Halogen-Free**

**Status**

**Not Low-Halogen**

For more information, please visit [Contact US](#)

China ROHS

ELV

RoHS Phthalates

**China RoHS**

Green Image

Not Relevant

Not Contained

**Search Parts in this Series**

[78320](#) Series

**Mates With**

[78103](#) , [78283](#) and [78285](#) Micro SATA  
 Device Plugs

**Electrical**

Current - Maximum per Contact	1.5A
Grounding to PCB	Yes
Voltage - Maximum	30V

**Solder Process Data**

Duration at Max. Process Temperature (seconds)	010
Lead-free Process Capability	REFLOW
Max. Cycles at Max. Process Temperature	001
Process Temperature max. C	260

**Material Info****Reference - Drawing Numbers**

Electrical Model Document	EE-78285-001-001, EE-78320-001-001
Packaging Specification	PK-78320-002-001
Product Specification	PS-78320-002-001
S-Parameter Model	SP-78320-001-001
Sales Drawing	SD-78320-002-001

This document was generated on 10/05/2021

**PLEASE CHECK [WWW.MOLEX.COM](http://WWW.MOLEX.COM) FOR LATEST PART INFORMATION**