



THE PRODUCT

Modern, attractive, flat styling characterises the COMTEC family of cases. This makes desktop units easy to operate, and applications on the wall – then rotated by 180° – can be optimally mounted for the user.

The new “Softline” design gives the cases a high-quality appearance for housing equipment that needs to look good.

YOUR ADVANTAGE

Ergonomic design. A real asset when operating and reading.

Large area for interfaces at the top. Ideal for D-sub-plug connectors, round connectors etc.

Battery compartment can be fitted in the bottom parts (150 F/H, 200 F/H). Lid of battery compartment snapped-on (version II).

Flat or raised bottom part for large-volume components.

Easy assembly construction by two self-tapping screws only.

Self-adhesive case feet ensure reliable desktop positioning.

Wall suspension elements for rational wall mounting, see accessories page 103.

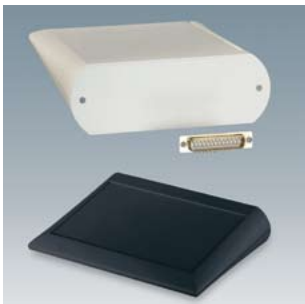
APPLICATIONS

Systems for data collection on the job and machines. Communications equipment. Access and security controls, data systems engineering. Medical and laboratory technologies. Industrial control systems. Point-of-sale.

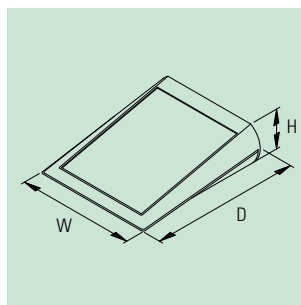
PROTECTION CLASS IP 40

MAX. SIZE OF PCB

COMTEC	Bottom part version I	Top part
120 F	94 x 123	105 x 137
120 H	94 x 128	105 x 137
150 F/H	124 x 175	130 x 187
200 F/H	174 x 123	185 x 137
290 H	264 x 167	270 x 187



Off-white, RAL 9002
 Black, RAL 9005



ENCLOSURES

COMTEC	Outside dim. in mm			Version / Equipment (dim. in mm)		Material	Part-No.		
	W	D	H	battery compartment	max. dim. keypad		off-white	black	
120 F	120	150	20/42.8	I	–	87.85 x 109.85	ABS (UL 94 HB)	A 06 12 007	A 06 12 009
120 H	120	150	40/62.8	I	–	87.85 x 109.85	ABS (UL 94 HB)	A 06 12 107	A 06 12 109
150 F	150	200	20/51.5	I	–	117.85 x 159.80	ABS (UL 94 HB)	A 06 15 007	A 06 15 009
	150	200	20/51.5	II	• (see accessory ①)	117.85 x 159.80	ABS (UL 94 HB)	A 06 15 017	A 06 15 019
150 H	150	200	40/71.5	I	–	117.85 x 159.80	ABS (UL 94 HB)	A 06 15 107	A 06 15 109
	150	200	40/71.5	II	• (see accessory ①)	117.85 x 159.80	ABS (UL 94 HB)	A 06 15 117	A 06 15 119
200 F	200	150	20/42.8	I	–	167.75 x 109.85	ABS (UL 94 HB)	A 06 20 007	A 06 20 009
	200	150	20/42.8	II	• (see accessory ①)	167.75 x 109.85	ABS (UL 94 HB)	A 06 20 017	A 06 20 019
200 H	200	150	40/62.8	I	–	167.75 x 109.85	ABS (UL 94 HB)	A 06 20 107	A 06 20 109
	200	150	40/62.8	II	• (see accessory ①)	167.75 x 109.85	ABS (UL 94 HB)	A 06 20 117	A 06 20 119
290 H	290	200	44/75,5	I	–	257.85 x 159.80	ABS (UL 94 HB)	A 06 29 107	A 06 29 109

ACCESSORIES*1

Article	For enclosure COMTEC	Version / Application	Part-No.
① Set of battery compartment	150 F/H, 200 F/H	ABS, off-white, for 4 x 1.5 V mignon cells (AA), battery clips nickel-plated*2	A 93 45 217
② Battery compartment	150 F/H, 200 F/H	ABS, off-white, for 1 x 9 V flat battery (PP3)	A 91 74 003
	150 F/H, 200 F/H	ABS, off-white, for 2 x 9 V flat batteries (PP3)	A 91 74 002
③ Set of battery clips	150 F/H, 200 F/H	tin-plated, for 1 x 9 V flat battery (PP3)	A 91 74 006
	150 F/H, 200 F/H	tin-plated, for 2 x 9 V flat batteries (PP3)	A 91 61 002
④ Plug-in contact	150 F/H, 200 F/H	for 1 x 9 V flat battery (PP3)	A 91 60 003
⑤ Set of screws	all sizes	4 x ø 2.5 x 6 mm, for mounting PCBs	A 91 99 008



*1 wall suspension element see accessories page 103

*2 complies with DIN EN 60601 (short circuit caused by incorrect insertion of batteries impossible)

NEW PRODUCT