




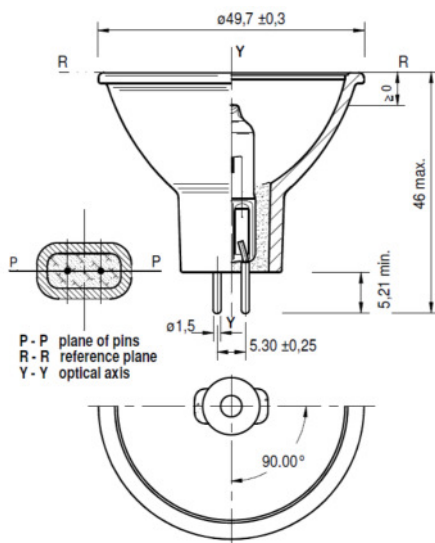
Projection

	Type 54031 13,8V 50W GX5,3
	Ordering - No. 54031
Product Description	Halogen reflector lamp
Features	Quartz Bulb, Pre-Focused (Filament), Dimmable
Application	Projection

Technical Details

Rated Voltage (V)	13,8
Wattage (W)	50
Beam center intensity (cd)	1000
Intensity at 6° (cd) Intensity at 14° (cd)	350 100
Average Lifetime (h)	1000
Base	GX5,3
Reflector Finish	smooth
Operating Position	S105 
Max. permissible Temperatures (degree C)	350 900 <ul style="list-style-type: none"> • Pinch • Bulb
Environmental Remark	Product don't contain lead or mercury and is conform with Directive 2011/65/EC "Restriction of the use of certain hazardous substances in electrical and electronic equipment".

Drawing (in mm)



valid from	19.04.2017-V2-PN17/0173
replace for	13.04.2017-V1-PN17/0171
file	54031.100.pdf

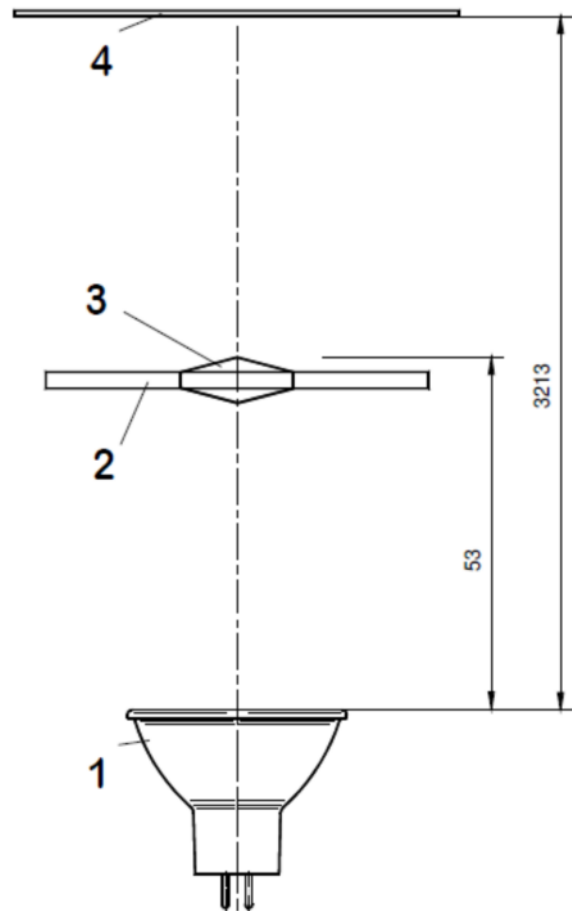
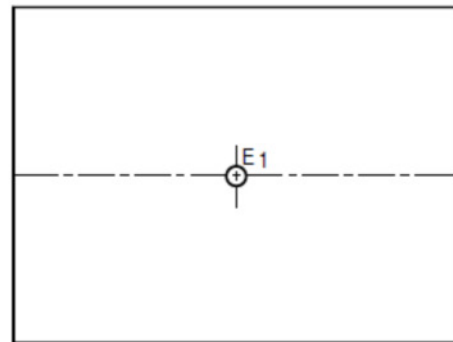


Projection

Measurement method

Meßaufstellung :

- 1) Reflektor-Brenner-Kombination
- 2) Blende $\varnothing 10\text{mm}$
- 3) Rotationssymmetrisches Prisma (Grün-Optik)
- 4) Masterline-Messbank



valid from	19.04.2017-V2-PN17/0173
replace for	13.04.2017-V1-PN17/0171
file	54031.100.pdf