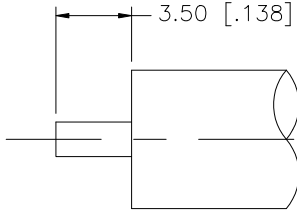
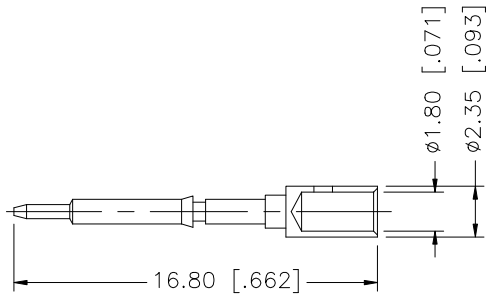
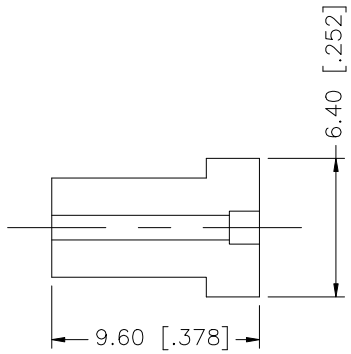
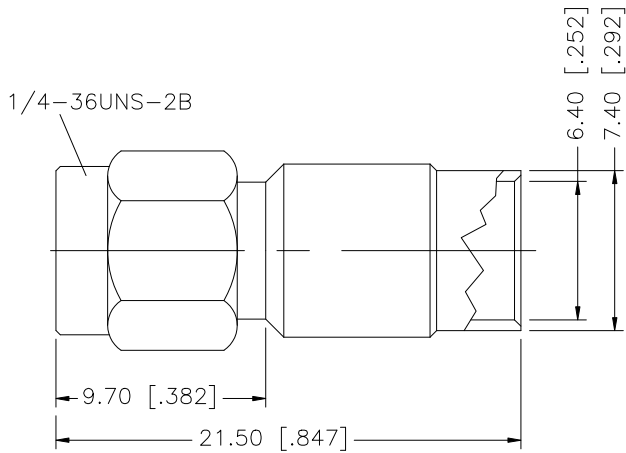


REV.	DATE	DESCRIPTION
A	06/11/02	REVISE CONTACT PIN
B	08/16/07	REVISE CONTACT PIN, ADD INSULATOR



RECOMMENDED
CABLE STRIPPING DIM'S



NOTE:
1) CONTACT PIN TO SOLDER.

DESCRIPTION	MATERIAL	FINISH	QTY	
8				
7				
6				
5				
4				
3	CONTACT PIN	BRASS	GOLD	1
2	INSULATOR	TEFLON	NATURAL	1
1	BODY	BRASS	GOLD	1

UNLESS OTHERWISE SPECIFIED DIMENSIONS ARE IN MILLIMETERS. DIMENSIONS IN [] ARE IN INCHES AND FOR CUSTOMER REFERENCE ONLY.

UNLESS OTHERWISE SPECIFIED TOLERANCES FOR MILLIMETERS ARE:
0.5 - 8mm ± 0.20mm
8 - 30mm ± 0.40mm
30 - 120mm ± 0.50mm

UNLESS OTHERWISE SPECIFIED TOLERANCES FOR INCHES ARE:
.020 - .315 = ± 0.007"
.315 - 1.180 = ± 0.015"
1.180 - 4.724 = ± 0.020"

APPROVALS	DATE
DRAWN G.R.S.	08/16/07
CHECKED	
ISSUED	
SHEET 1 OF 1	
CAD FILE	C:/132/132296.DWG

Amphenol Connex

PART DESCRIPTION
**SMA SEMI RIGID PLUG
(.250" SEMI RIGID CABLE)**

PART NO. **132296**

DWG. NO. 132296.DWG	REV. B	SIZE A	SCALE NA
---------------------	--------	--------	----------

DO NOT SCALE DRAWING