

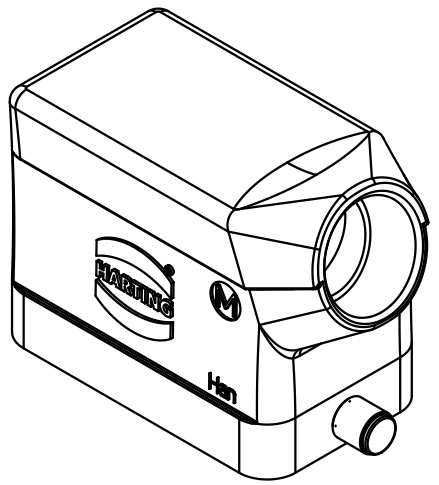
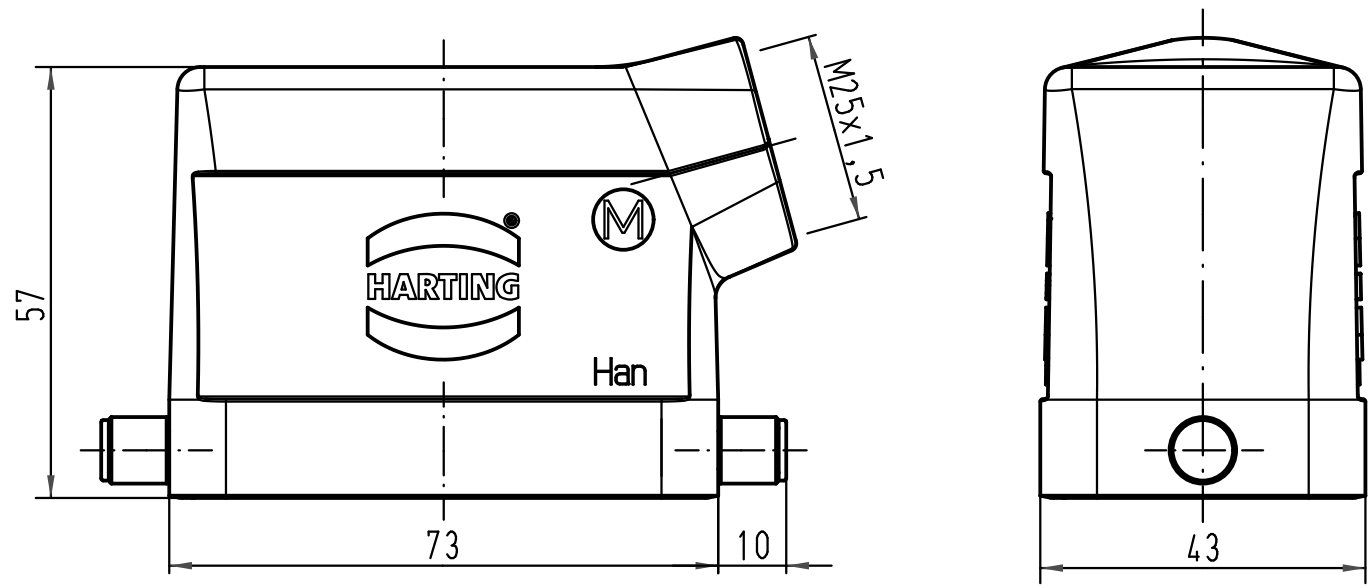
1 2 3 4 5 6

A

B

C

D



| | | | | | | |
|---|------|--------------------------------|-------------------|------|--|--|
| All Dimensions in mm Original Size DIN A 4 | | Techn. Character. | | | Nicht tolerierte Masse/ Free size tolerances | |
| | | | Dat. | Name | Masstab/ Scale 1:1 | Han 10B-gs-R-M25 Tüllengehäuse/ hoods |
| | | Detail. | 27.04.09 | ML | | |
| | | Insp. | | Sch | | |
| | | Stand. | | | | |
| A | | HARTING Electric GmbH & Co. KG | | | | TB 19 30 010 1541 |
| Mod. | Dat. | Name | D-32339 Espelkamp | | | |
| | | | | | Sub. f. TB 19 30 010 1541 v. 06.09.01 | |
| | | | | | | Blatt/ page |