

iC-WKM DEMO WKM1D

DEMO BOARD DESCRIPTION



Rev A1, Page 1/2

ORDERING INFORMATION

Type	Order Designation	Description/Options
iC-WKM Demo	WKM1D DEMO	Evaluation board for iC-WKM

BOARD WKM1D

(size 100 mm x 80 mm)

TERMINAL DESCRIPTIONS

Name	Function
VCC	Supply Voltage
GND	Ground
AGND	Reference Ground for CI, RM
CI	Capacitor for Power Control
VCCA	Driver Supply
MDA	Monitor Input for N/M-Type Laser Diodes
LDA	Driver Output
MDK	Monitor Input for P-Type Laser Diodes

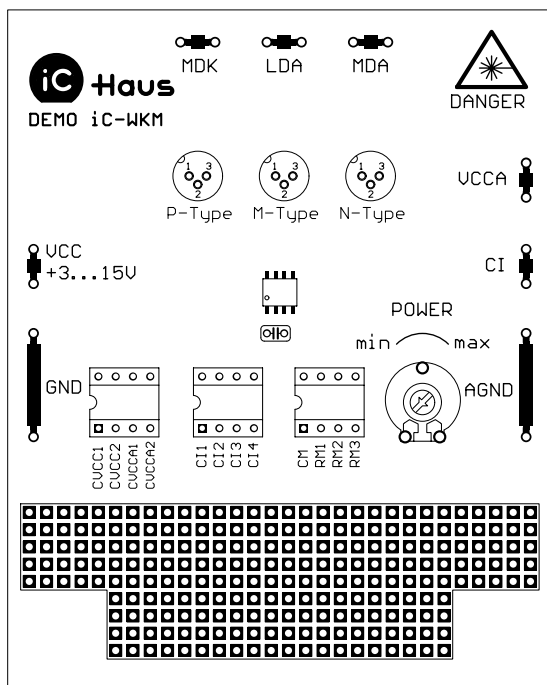


Figure 1: Component side of WKM1D board

iC-WKM DEMO WKM1D

DEMO BOARD DESCRIPTION



Rev A1, Page 2/2

DESCRIPTION

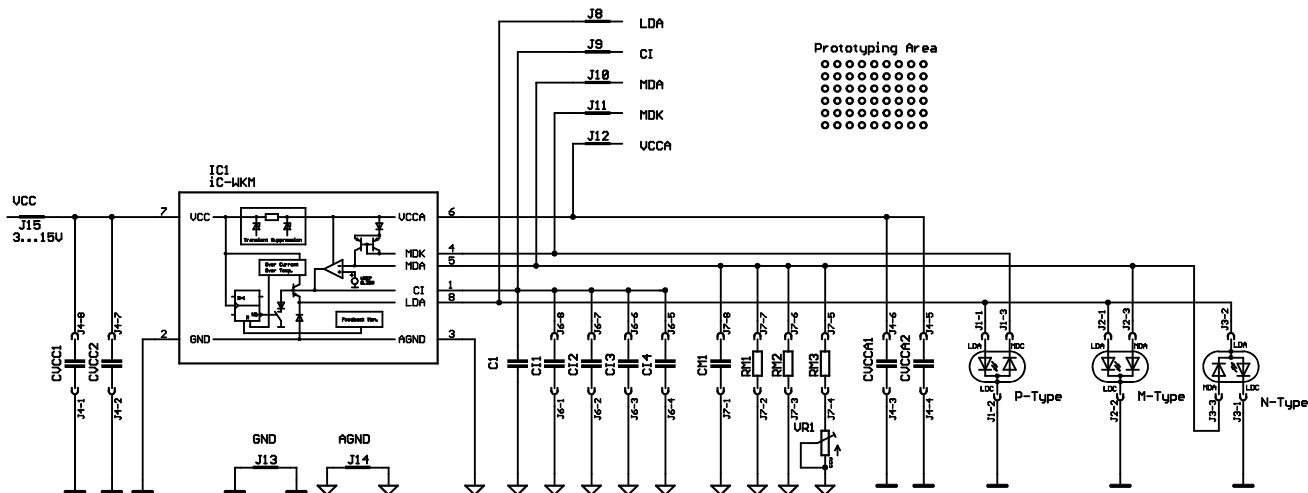


Figure 2: Schematic diagram of WKM1D board

ASSEMBLY PART LIST

Device	Value (typ)	Comment
C1	100 pF	driver circuit stability
C11	1 μ F	power control capacitors
C12	1 μ F	power control capacitors
C13		power control capacitors
C14		
CM	1 nF	driver circuit stability and spike suppression
CVCC1	100 nF	blocking capacitors
CVCC2		blocking capacitors
CVCCA1	1 μ F	blocking capacitors
CVCCA2		blocking capacitors
J1		P-type laser diode
J2		M-type laser diode
J3		N-type laser diode
RM1		resistor to set the laser output power
RM2		resistor to set the laser output power
RM3	5.1 k Ω	resistor to set the laser output power
U1	iC-WKM	
VR1	2.5 k Ω	trimmer to set the laser output power

This specification is for a newly developed product. iC-Haus therefore reserves the right to change or update, without notice, any information contained herein, design and specification; and to discontinue or limit production or distribution of any product versions. Please contact iC-Haus to ascertain the current data. Copying - even as an excerpt - is only permitted with iC-Haus approval in writing and precise reference to source.

iC-Haus does not warrant the accuracy, completeness or timeliness of the specification on this site and does not assume liability for any errors or omissions in the materials. The data specified is intended solely for the purpose of product description. No representations or warranties, either express or implied, of merchantability, fitness for a particular purpose or of any other nature are made hereunder with respect to information/specification or the products to which information refers and no guarantee with respect to compliance to the intended use is given. In particular, this also applies to the stated possible applications or areas of applications of the product.

iC-Haus conveys no patent, copyright, mask work right or other trade mark right to this product. iC-Haus assumes no liability for any patent and/or other trade mark rights of a third party resulting from processing or handling of the product and/or any other use of the product.