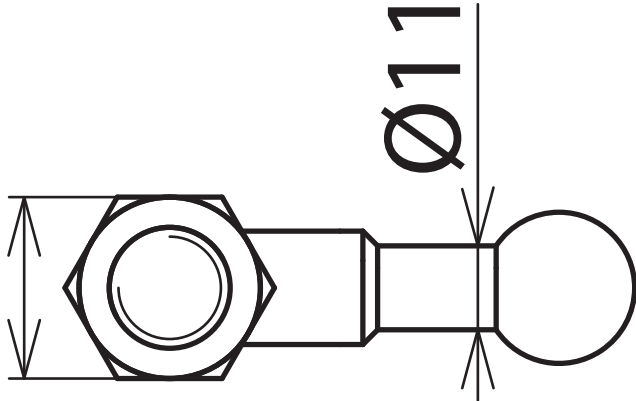
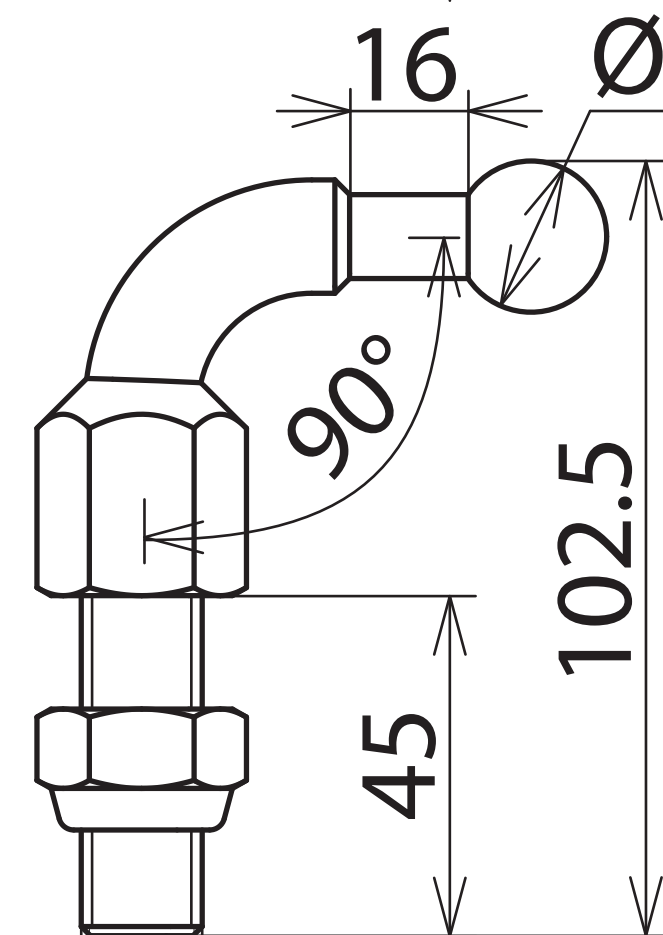


SW24



16

$\text{Ø}20$



90°

45

102.5

M16