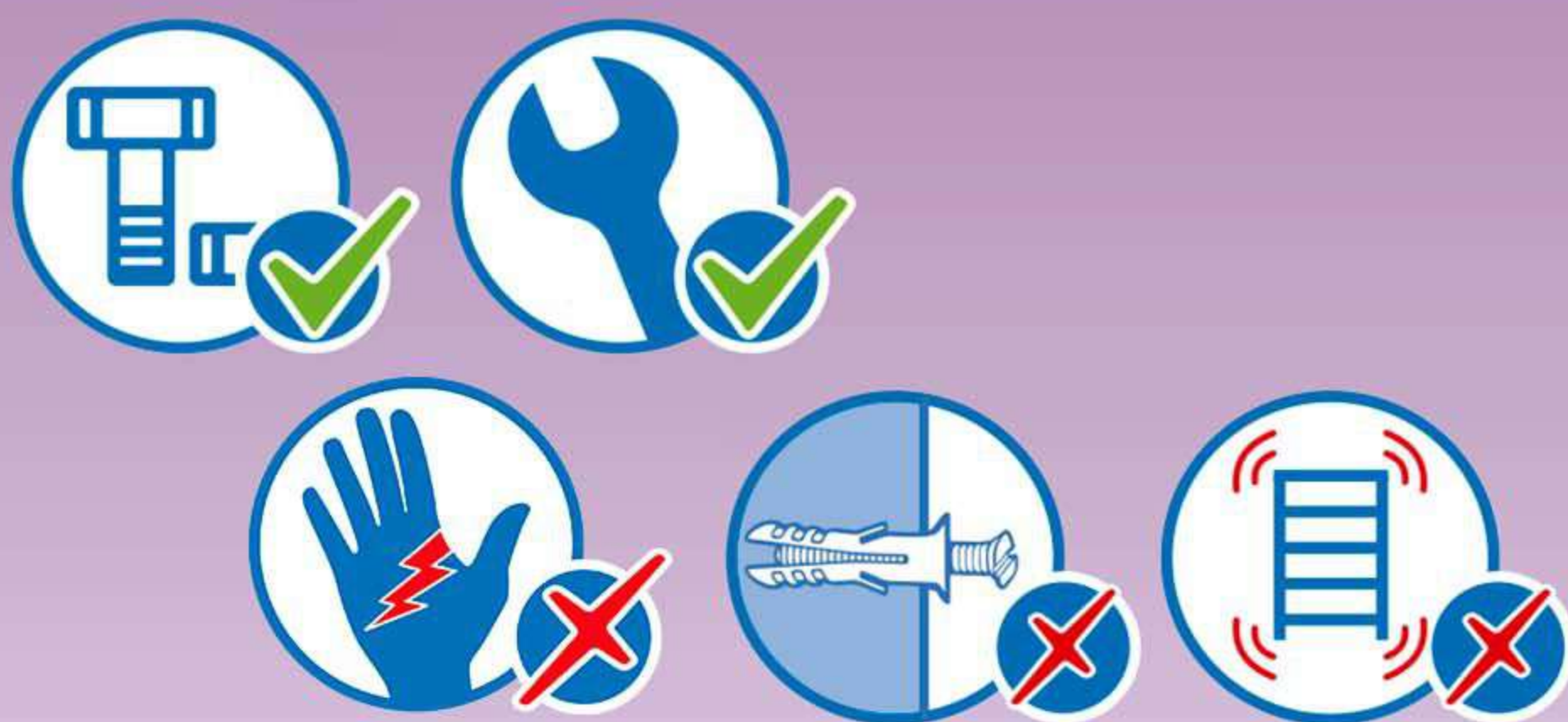
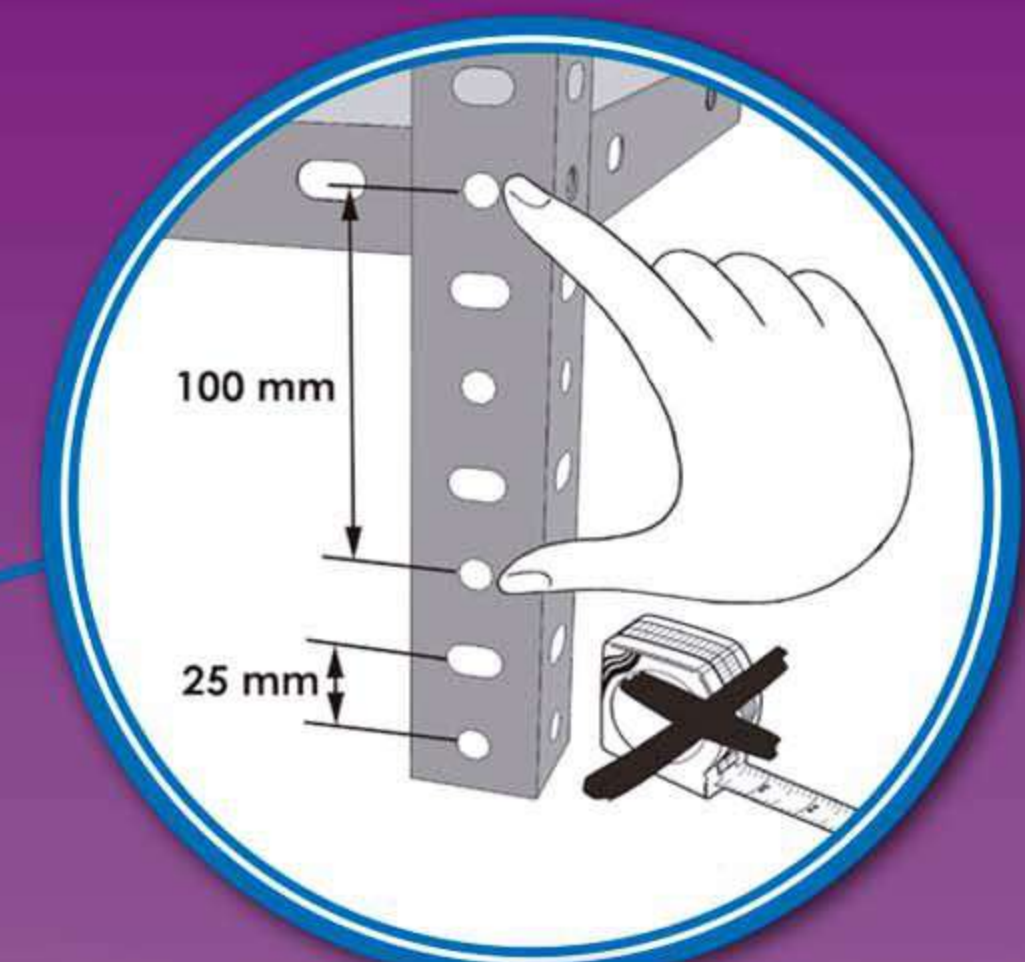
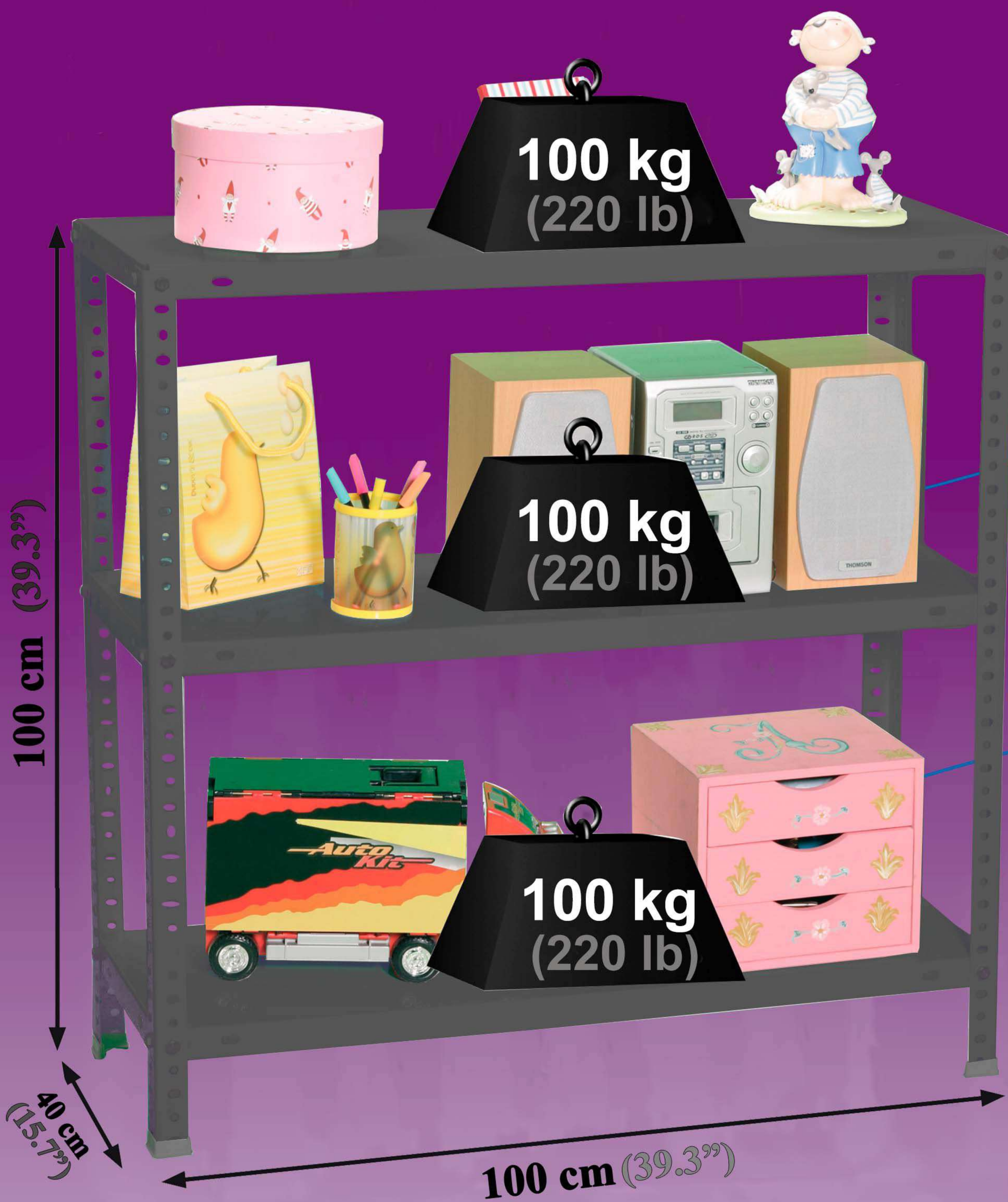


# 100 x 100 x 40 cm

## 39.3" x 39.3" x 15.7"

### COMFORT PLUS 3/400

**5** Años Garantía  
Years Guarantee  
Jahre Garantie  
Ans Garantie  
**SIMONRACK**



**Simon  
Rack**  
SINCE 1964 - MANUFACTURER

\*MEDIDAS EN USO / USED MEASUREMENTS  
MASSNAHMEN IM EINSATZ / MESURES EN EMPLOI / MEDIDAS EM USO:  
1000 x 1010 x 410 mm (39.3" x 39.7" x 16.1")



ESTANTERIAS SIMON S.L. B.50.556.463  
PG. ALFAMEN C/ POLIGONO C, N°3  
ALFAMEN (ZARAGOZA)



[www.simonrack.com](http://www.simonrack.com)



INSTRUCCIONES  
INSTRUCTIONS  
ANLEITUNG  
INSTRUCTIONS

