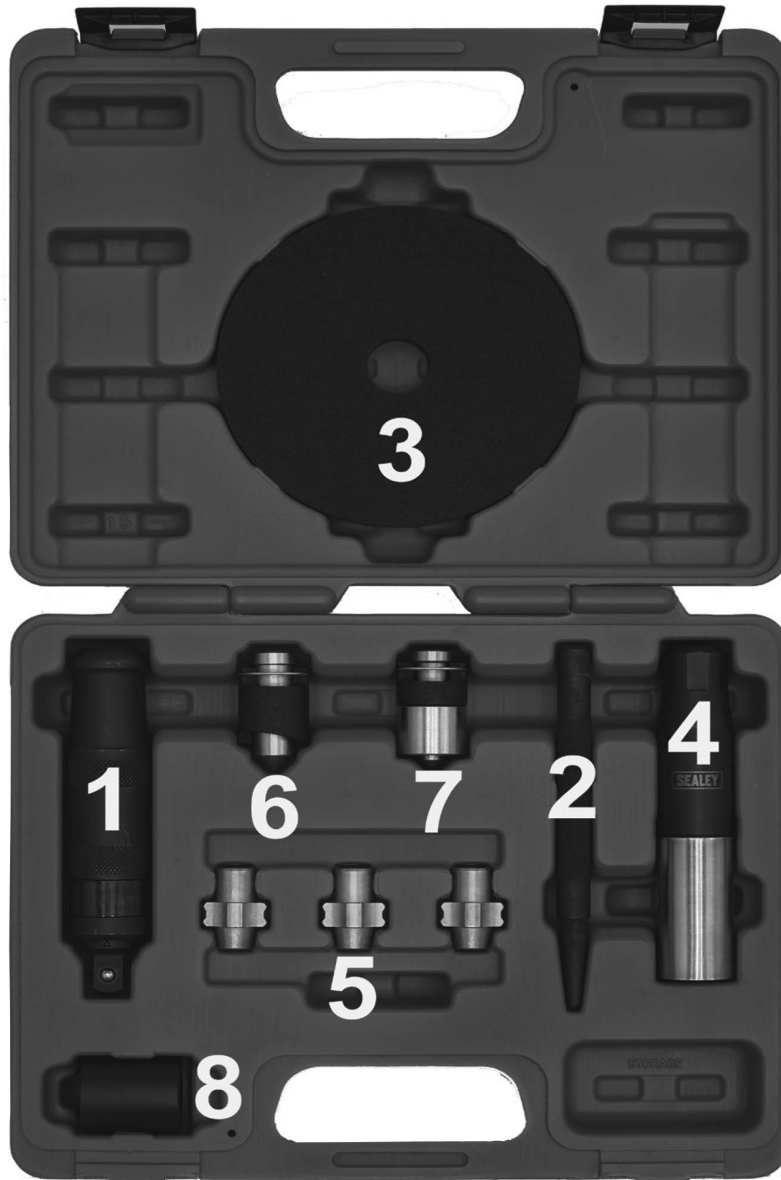




Parts Information:
Master Locking Wheel Nut Removal Set
Model No: SX299.V2



Item	Part No.	Description
1	SX299.V2-01	Impact Driver
2	SX299.02	Centre Punch
3	SX299.03	Hand Protection Ring
4	SX299.04	Main Body & Outer Shroud

Item	Part No.	Description
5	SX299DB	Blade C for SX299 - Pack of 10
6	SX299.06	Blade 'A'
7	SX299.07	Blade 'B'
8	SX299.08	1/2"Dr Impact Socket 24mm

NOTE: It is our policy to continually improve products and as such we reserve the right to alter data, specifications and component parts without prior notice. There may be alternative versions of this product, please contact us should you require this information.

IMPORTANT: No liability is accepted for incorrect use of product. Spare parts must be fitted by a competent person

WARRANTY: Guarantee is 12 months from purchase date, proof of which will be required for any claim.

Sealey Group, Kempson Way, Suffolk Business Park, Bury St Edmunds, Suffolk. IP32 7AR



01284 757500



01284 703534



sales@sealey.co.uk



www.sealey.co.uk