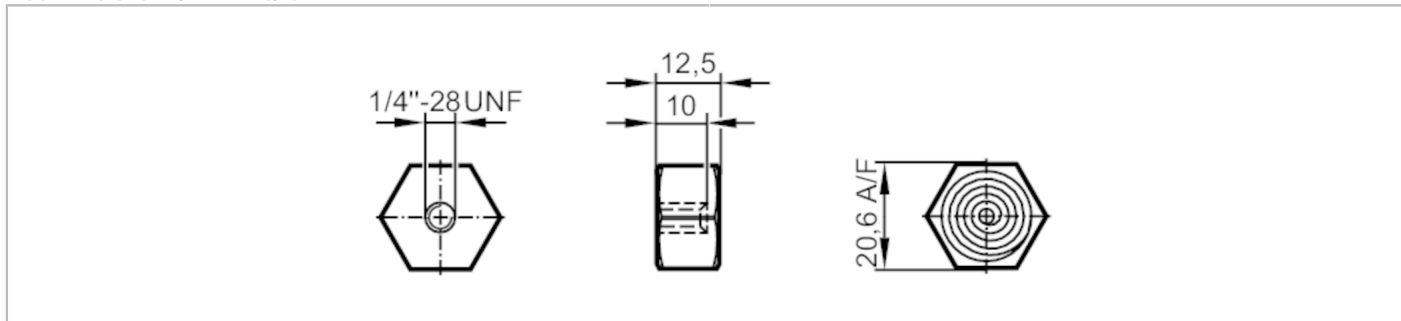


E30474



Adhesive adapter for acceleration and vibration sensors

MOUNTING STUD 1/4" HEX 13/16"



Application	
Design	for efector octavis
Mechanical data	
Weight [g]	33.2
Materials	stainless steel (1.4305 / 303)
Sensor connection	1/4 - 28 UNF internal thread
Remarks	
Pack quantity	1 pcs.