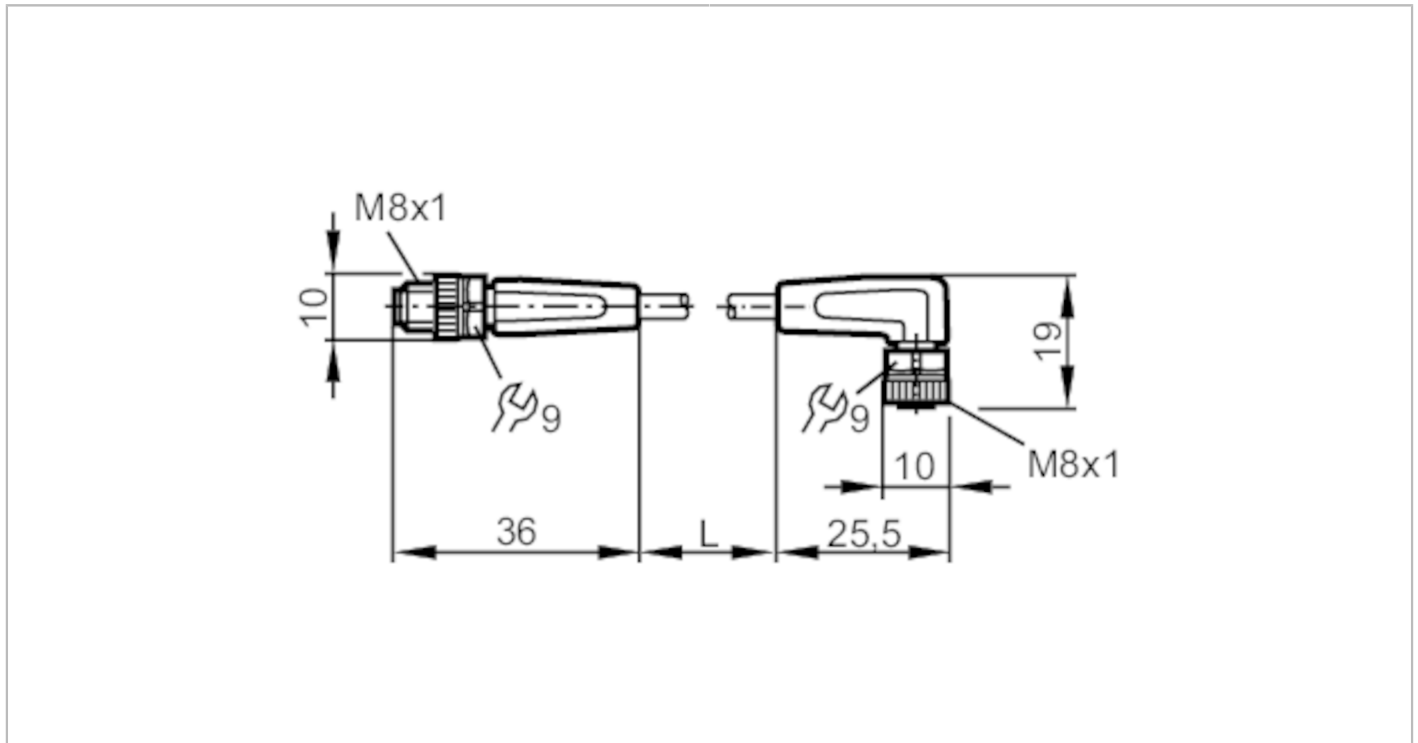


# EVC448



## Connection cable

VDOAF030MSS00,5H03STGF030MSS



Application	
Special feature	Free from silicone; Halogen-free; Gold-plated contacts; Drag chain suitability
Free from silicone	yes
Electrical data	
Operating voltage [V]	< 50 AC / < 60 DC
Protection class	III
Max. current load total [A]	3
Operating conditions	
Ambient temperature [°C]	-25...90
Note on ambient temperature	cULus: ...80
Ambient temperature (moving) [°C]	-25...90
Note on ambient temperature (moving)	cULus: ...80
Protection	IP 65; IP 67; IP 68; IP 69K

# EVC448



## Connection cable

VDOAF030MSS00,5H03STGF030MSS

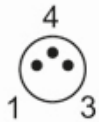
Mechanical data		
Weight [g]	28.4	
Dimensions [mm]	10 x 10 x 36	
Materials	housing: TPU orange; Sealing: FKM	
Material nut	brass, nickel-plated / brass, nickel-plated	
Drag chain suitability	yes	
Drag chain suitability	bending radius for flexible use	min. 10 x cable diameter
	travel speed	max. 3.3 m/s for a horizontal travel length of 5 m and max. acceleration of 5 m/s <sup>2</sup>
	bending cycles	> 5 Mio.
	torsional strain	± 180 °/m

## Remarks

Pack quantity	1 pcs.
---------------	--------

## Electrical connection - plug

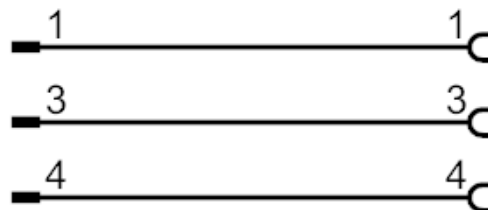
Connector: 1 x M8, straight; Locking: brass, nickel-plated; Contacts: gold-plated; Tightening torque: 0.3...0.5 Nm



## Electrical connection

Cable: 0.5 m, PUR, Halogen-free, black, Ø 3.7 mm; 3 x 0.25 mm<sup>2</sup> (32 x Ø 0.1 mm )

## Connection



## Electrical connection - socket

Connector: 1 x M8, angled; Locking: brass, nickel-plated; Contacts: gold-plated; Tightening torque: 0.3...0.5 Nm

# EVC448



## Connection cable

VDOAF030MSS00,5H03STGF030MSS

