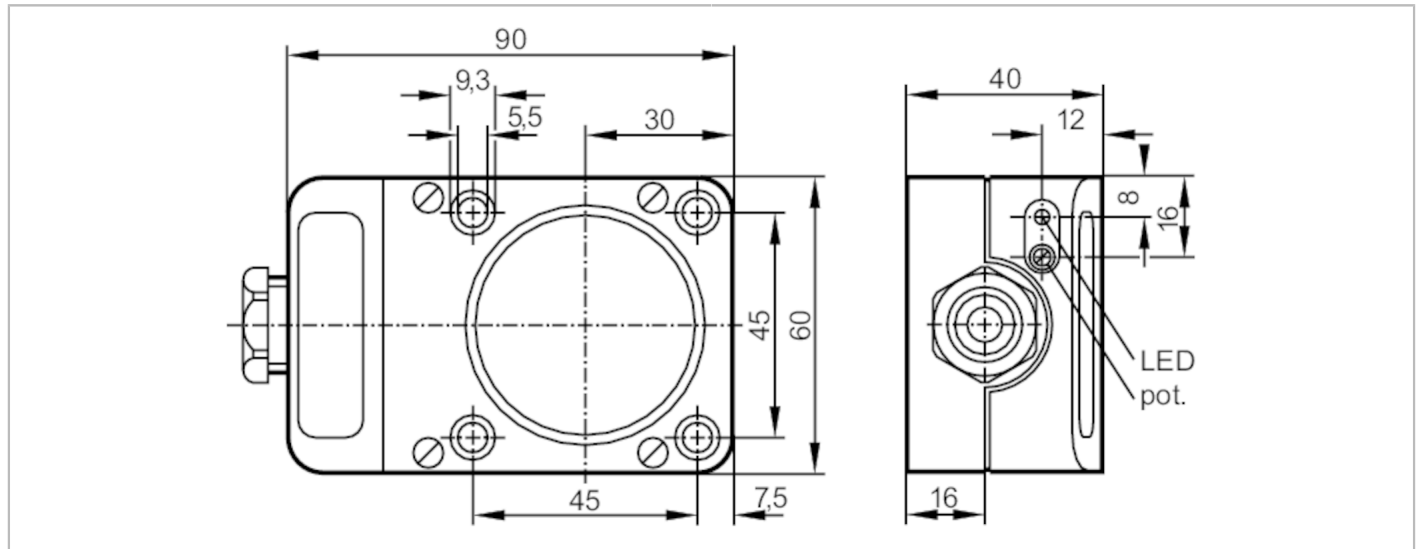


IC0003



Inductive sensor

ICE2040-FBOA



Product characteristics	
Output function	normally open / normally closed; (selectable)
Sensing range [mm]	40
Housing	rectangular
Dimensions [mm]	90 x 60 x 40
Electrical data	
Operating voltage [V]	20...250 AC/DC
Protection class	II
Reverse polarity protection	no
Outputs	
Output function	normally open / normally closed; (selectable)
Max. voltage drop switching output DC [V]	6
Max. voltage drop switching output AC [V]	6.5
Minimum load current [mA]	5
Max. leakage current [mA]	2.5 (250 V AC) / 1.3 (110 V AC) / 0.8 (24 V DC)
Permanent current rating of switching output AC [mA]	250; (350 (...50 °C))
Permanent current rating of switching output DC [mA]	100
Short-time current rating of switching output [mA]	2200; (20 ms / 0,5 Hz)
Switching frequency AC [Hz]	10
Switching frequency DC [Hz]	10
Short-circuit proof	no
Overload protection	no

IC0003



Inductive sensor

ICE2040-FBOA

Detection zone		
Sensing range	[mm]	40
Sensing range adjustable		yes
Factory setting sensing range	[mm]	40
Real sensing range Sr	[mm]	40 ± 10 %
Operating distance	[mm]	0...32.4
Accuracy / deviations		
Correction factor		steel: 1 / stainless steel: 0.7 / brass: 0.4 / aluminium: 0.3 / copper: 0.2
Hysteresis	[% of Sr]	1...15
Switch point drift	[% of Sr]	-10...10
Operating conditions		
Ambient temperature	[°C]	-25...80
Protection		IP 65
Tests / approvals		
EMC		EN 60947-5-2
		EN 55011
MTTF	[years]	496
		Ta
UL approval		0...40 °C
		Enclosure type
		Type 1
		voltage supply
		Hazardous voltage
		File number UL
		E174191
Mechanical data		
Weight	[g]	270
Housing		rectangular
Mounting		non-flush mountable
Dimensions	[mm]	90 x 60 x 40
Materials		PPE
Displays / operating elements		
Display		switching status
		1 x LED, yellow
Electrical connection		
Required protection		miniature fuse to IEC60127-2 sheet 1; ≤ 2 A; fast acting
Accessories		
Accessories (supplied)		screwdriver: 1
		spring washers: 4
		cylinder screws: 4 x M5 x 35
Remarks		
Remarks		Recommendation: Check the safe functioning of the unit after a short circuit.
Pack quantity		1 pcs.

IC0003



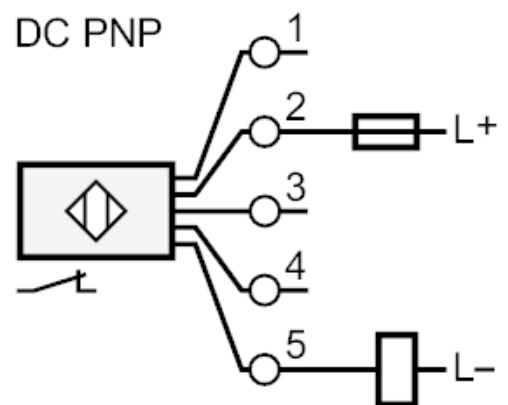
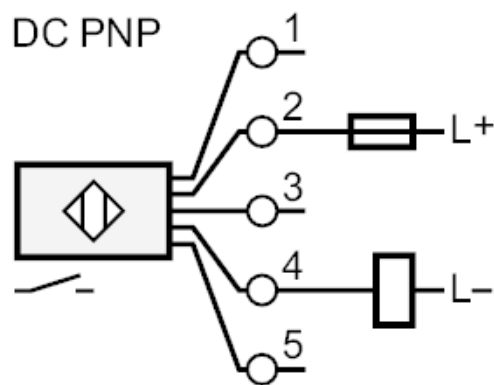
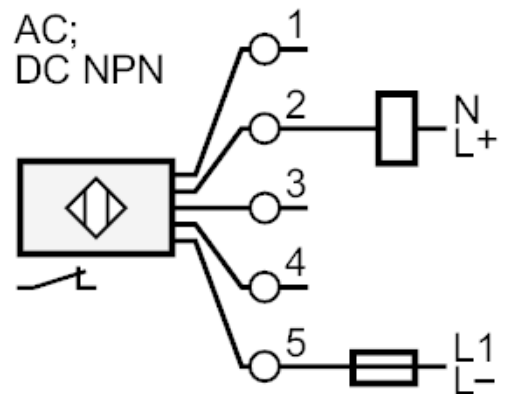
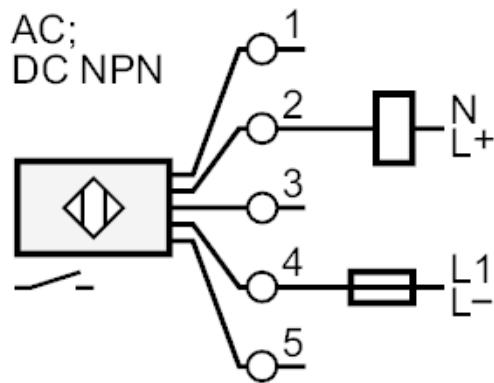
Inductive sensor

ICE2040-FBOA

Electrical connection

terminals: ...2.5 mm²; Cable sheath: Ø 7...13 mm; Cable gland: M20 X 1.5

Connection



Note miniature fuse to IEC60127-2 sheet 1 \leq 2 A fast acting