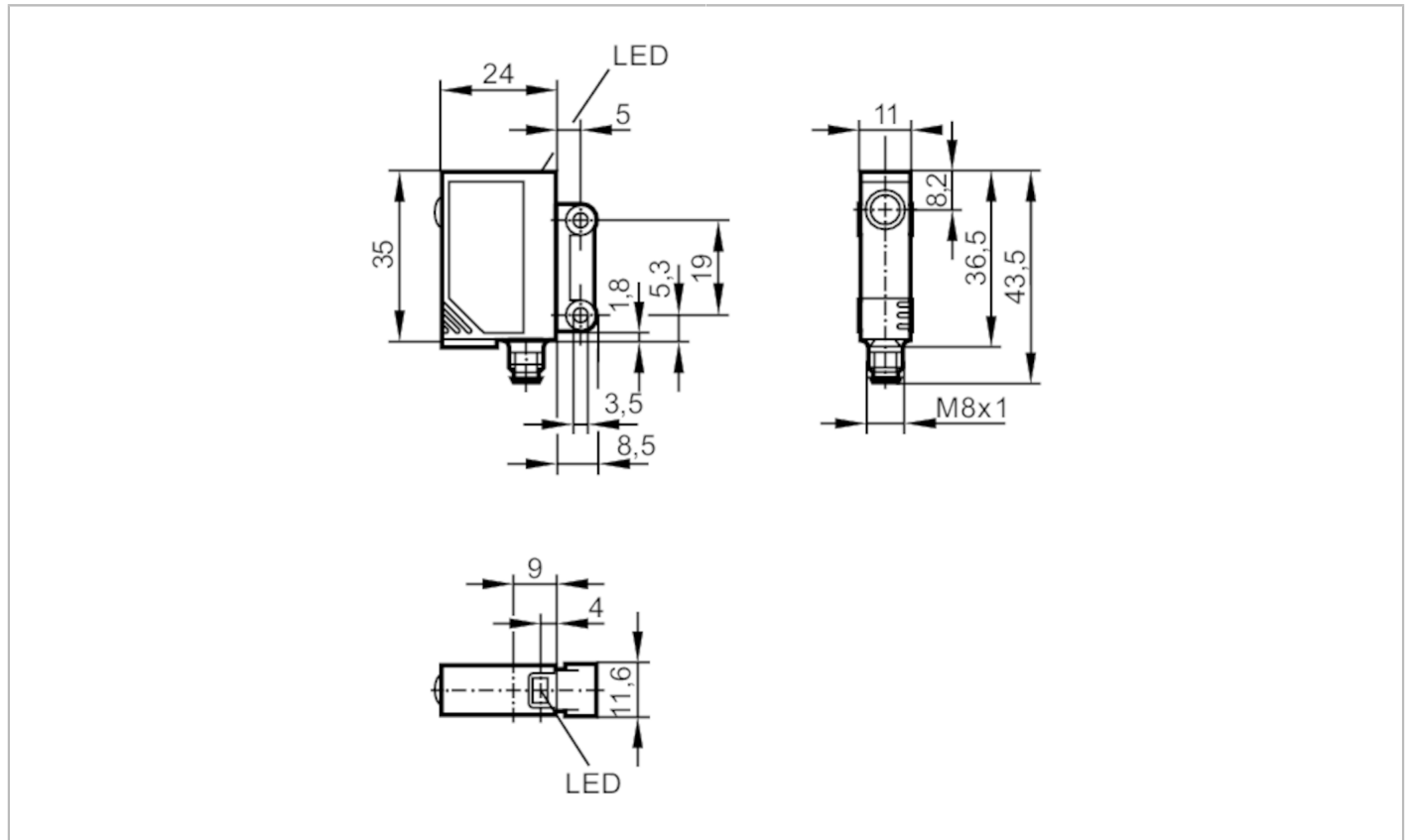


OJS200



Through-beam sensor transmitter

OJS-00KG/SO/AS



Product characteristics	
Type of light	red light
Housing	rectangular
Dimensions [mm]	35 x 11 x 24
Application	
Function principle	Through-beam sensor
Electrical data	
Operating voltage [V]	10...30 DC
Current consumption [mA]	< 30
Protection class	III
Reverse polarity protection	yes
Type of light	red light
Detection zone	
Transmitter / receiver	transmitter
Range [m]	0...10
Range adjustable	no
Max. light spot diameter [mm]	1000
Light spot dimensions refer to	at maximum range

OJS200

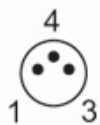


Through-beam sensor transmitter

OJS-00KG/SO/AS

Operating conditions		
Ambient temperature	[°C]	-25...60
Protection		IP 67
Tests / approvals		
EMC		EN 60947-5-2
MTTF	[years]	2230
Mechanical data		
Weight	[g]	16.6
Housing		rectangular
Dimensions	[mm]	35 x 11 x 24
Materials		ABS; SEPS
Lens material		PMMA
Lens alignment		side lens
Displays / operating elements		
Display	operation	1 x LED, green
Remarks		
Remarks		operating voltage "supply class 2" according to cULus
Pack quantity		1 pcs.
Electrical connection		

Connector: 1 x M8



Connection

