

M12 female 90° shielded with cable

PUR 5x0.34 shielded bk UL/CSA+drag chain 20m

M12

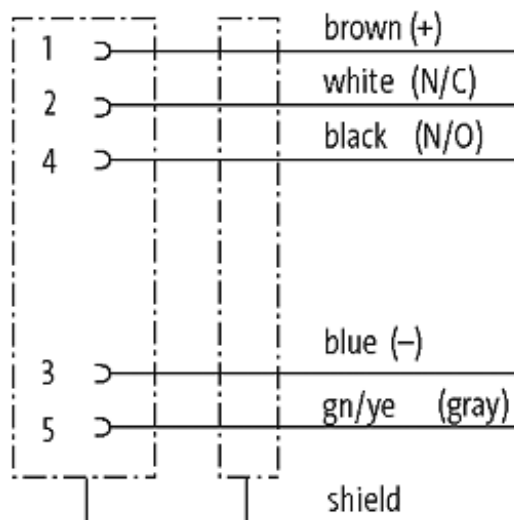
Female 90°

5-pole, shielded

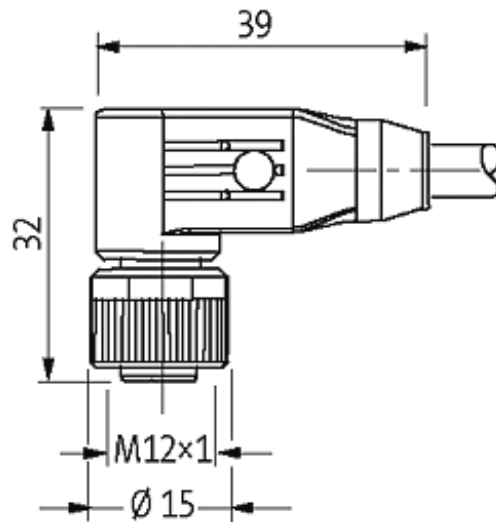
Plastic housings with good resistance against chemicals and oils. The resistance to aggressive media should be individually tested for your application. Further details on request. Further cable lengths on request.

[Link to Product](#)

Illustration



Female



Product may differ from Image