

IEC Appliance Inlet C20 with Filter, Front or Rear Side Mounting

Standard- or Medical-Filter



Screw-on mounting  
from front side



Snap-in mounting  
from front side



Screw-on mounting  
from rear side  
with wires (stranded)



**Description**

- Panel Mount:  
Screw-on version from front or rear side, snap-in version from front side
- 2 Functions:  
Appliance Inlet Protection class I, Line filter in standard and medical version
- Solder, quick connect or wires (stranded)

**Approvals**

- VDE Certificate Number: 104884
- UL File Number: E72928

**Characteristics**

- Compact design with optimal shielding  
Suitable for assembly in metal plated plastic housings
- Version with class X1 and X2 (standard version) capacitors
- Universal line filter for standard applications  
Designed for standard and medical applications
- Suitable for use in equipment according to IEC/UL 60950  
Suitable for use in medical equipment according to IEC/UL 60601-1

**Other versions on request**

- 16A according to UL
- Capacity CX 330 nF

**References**

Alternative: version without line filter 4793; 4798

**Weblinks**

[pdf-datasheet](#), [html-datasheet](#), [General Product Information](#), [Approvals](#), [CE declaration of conformity](#), [RoHS](#), [CHINA-RoHS](#), [REACH](#), [Mating Connectors](#), [e-Shop](#), [SCHURTER-Stock-Check](#), [Distributor-Stock-Check](#), [CAD-Drawings](#), [Accessories](#), [Wire Harnessing](#), [Detailed request for product](#)

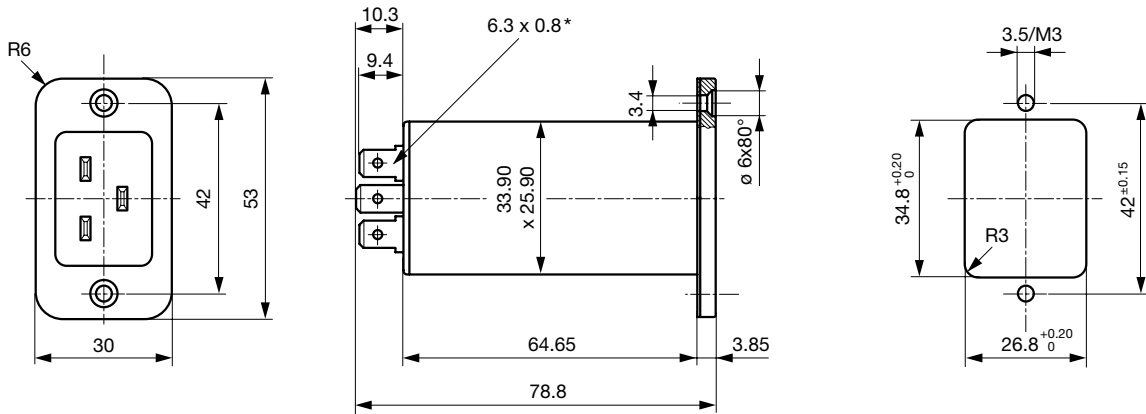
Newly available variants corresponding to V-Lock mating cordset. The connector is equipped with a notch intended for use with the latching cordset. The cord latching system prevents against accidental removal of the cordset.

**Technical Data**

Ratings IEC	16A @ Ta 40 °C / 250VAC; 50Hz	Appliance-Inlet/-Outlet	C20 acc. to IEC 60320, UL 498, CSA C22.2 no. 42 (for cold conditions) pin-temperature 70 °C, 16A, Protection Class I
Ratings UL/CSA	20A @ Ta 40 °C / 250VAC; 60Hz	Line Filter	Standard and Medical Version, IEC 60939, UL 1283, CSA C22.2 no. 8 <a href="#">Technical Details</a>
Leakage Current	standard < 0.5 mA (250V / 60Hz) medical < 5 µA (250 V / 60 Hz)	MTBF	> 3'000'000h acc. to MIL-HB-217 F
Dielectric Strength	> 1.7 kVDC between L-N > 2.7 kVDC between L/N-PE Test voltage (2 sec)		
Impulse Withstand Voltage	> 2.5kV between L-N (CX2) > 4 kV between L-N (CX1) > 5 kV between L/N-PE (Cy2) voltage (1.2/50 µs)		
Allowable Operation Temp.	-25 °C to 85 °C		
Climatic Category	25/085/21 acc. to IEC 60068-1		
Degree of Protection	from front side IP 40 acc. to IEC 60529		
Protection Class	Suitable for appliances with protection class I acc. to IEC 61140		
Terminal	Solder, quick connect or wires (stranded)		
Panel Thickness s	Screw: max 8 mm Mounting screw torque max 0.5Nm Snap-in: 1 mm to 3 mm		
Material: Housing	Thermoplastic, black, UL 94V-0		

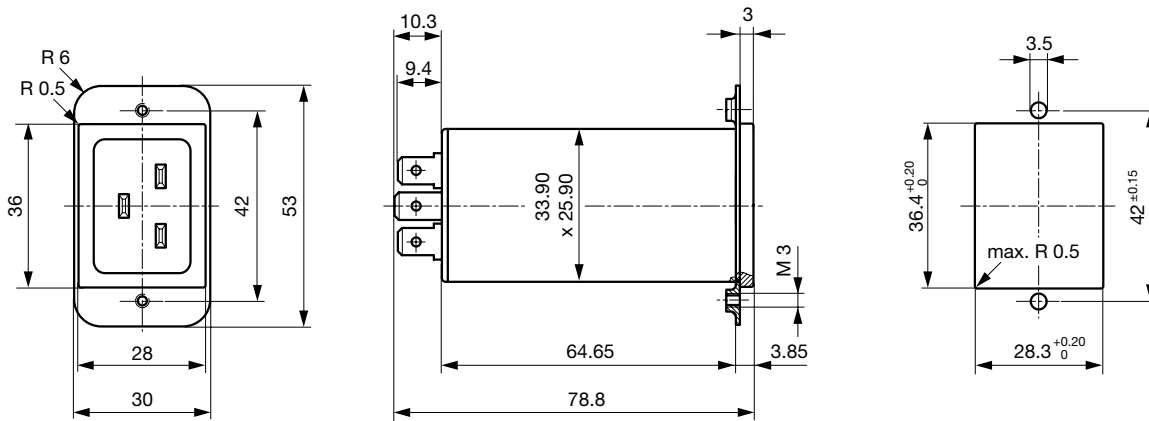
**Dimension**

Screw-on mounting from front side

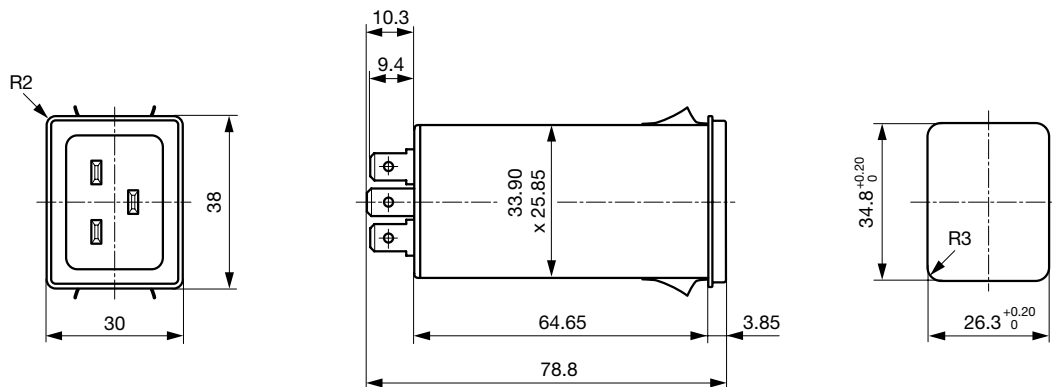


\* Solder terminal: identical outer dimensions

Screw-on mounting from rear side with metal flange



Snap-in mounting from front side



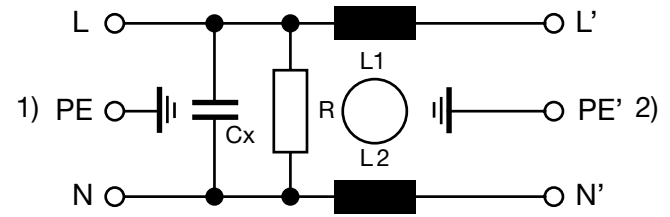
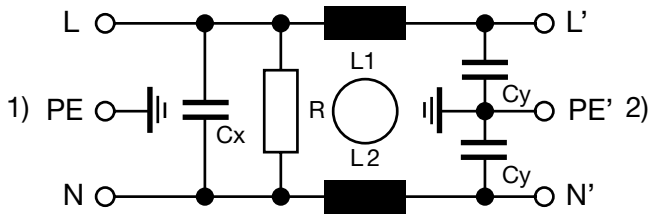
**Technical Data of Filter-Components**

Rated Current [A]	Filter-Type	Inductances L [mH]	Capacitance CX [nF]	Capacitance CY [nF]	R [MΩ]
16	Standard Version	2 x 0.3	100	2.2	1
16	Medical Version (M5)	2 x 0.3	100	-	1
16	Medical Version (M80)	2 x 0.3	100	0.47	1

Diagrams

Standard or medical version (M80)

Medical version (M5)



1) Line  
2) Load

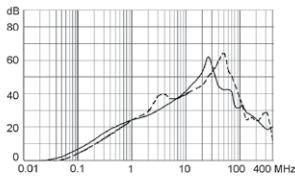
1) Line  
2) Load

Attenuation Loss

--- differential mode    \_\_\_\_ common mode

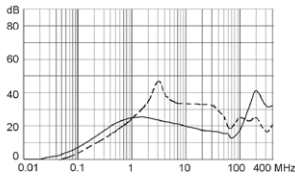
Standard version

20 A



Medical version (M5)

20 A



All Variants

Rated Current IEC [A]	Rated Current UL [A]	Filter-Type	Panel mounting	Mounting side	Terminal	Capacitor	Order Number
16	20	Standard Version	Snap-in	Front Side	Quick connect terminals 6.3 x 0.8	X2 100nF	C20F.0111
16	20	Standard Version	Snap-in	Front Side	Quick connect terminals 6.3 x 0.8	X1 100nF	C20F.0113
16	20	Standard Version	Snap-in	Front Side	Solder terminals	X2 100nF	C20F.0011
16	20	Standard Version	Snap-in	Front Side	Solder terminals	X1 100nF	C20F.0013
16	20	Standard Version	Screw	Front Side	Quick connect terminals 6.3 x 0.8	X2 100nF	C20F.0101
16	20	Standard Version	Screw	Front Side	Quick connect terminals 6.3 x 0.8	X2 100nF	C20F.0101.21
16	20	Standard Version	Screw	Front Side	Quick connect terminals 6.3 x 0.8	X1 100nF	C20F.0103
16	20	Standard Version	Screw	Front Side	Solder terminals	X2 100nF	C20F.0001
16	20	Standard Version	Screw	Front Side	Solder terminals	X2 100nF	C20F.0001.21
16	20	Standard Version	Screw	Front Side	Solder terminals	X1 100nF	C20F.0003
16	20	Standard Version	Screw	Rear Side	Flexible wire AWG14	X2 100nF	C20F.0221
16	20	Standard Version	Screw	Rear Side	Flexible wire AWG14	X1 100nF	C20F.0223
16	20	Standard Version	Screw	Rear Side	Quick connect terminals 6.3 x 0.8	X2 100nF	C20F.0121
16	20	Standard Version	Screw	Rear Side	Quick connect terminals 6.3 x 0.8	X1 100nF	C20F.0123
16	20	Standard Version	Screw	Rear Side	Solder terminals	X2 100nF	C20F.0021
16	20	Standard Version	Screw	Rear Side	Solder terminals	X1 100nF	C20F.0023
16	20	Medical Version (M5)	Snap-in	Front Side	Quick connect terminals 6.3 x 0.8	X2 100nF	C20F.0112
16	20	Medical Version (M5)	Snap-in	Front Side	Quick connect terminals 6.3 x 0.8	X1 100nF	C20F.0114

Rated Current IEC [A]	Rated Current UL [A]	Filter-Type	Panel mounting	Mounting side	Terminal	Capacitor	Order Number
16	20	Medical Version (M5)	Snap-in	Front Side	Solder terminals	X2 100nF	C20F.0012
16	20	Medical Version (M5)	Snap-in	Front Side	Solder terminals	X1 100nF	C20F.0014
16	20	Medical Version (M5)	Screw	Front Side	Quick connect terminals 6.3 x 0.8	X2 100nF	C20F.0102
16	20	Medical Version (M5)	Screw	Front Side	Quick connect terminals 6.3 x 0.8	X1 100nF	C20F.0104
16	20	Medical Version (M5)	Screw	Front Side	Solder terminals	X2 100nF	C20F.0002
16	20	Medical Version (M5)	Screw	Front Side	Solder terminals	X1 100nF	C20F.0004
16	20	Medical Version (M5)	Screw	Rear Side	Flexible wire AWG14	X2 100nF	C20F.0222
16	20	Medical Version (M5)	Screw	Rear Side	Flexible wire AWG14	X1 100nF	C20F.0224
16	20	Medical Version (M5)	Screw	Rear Side	Quick connect terminals 6.3 x 0.8	X2 100nF	C20F.0122
16	20	Medical Version (M5)	Screw	Rear Side	Quick connect terminals 6.3 x 0.8	X1 100nF	C20F.0124
16	20	Medical Version (M5)	Screw	Rear Side	Solder terminals	X2 100nF	C20F.0022
16	20	Medical Version (M5)	Screw	Rear Side	Solder terminals	X1 100nF	C20F.0024

Most Popular.

Availability for all products can be searched real-time: <http://www.schurter.com/en/Stock-Check/Stock-Check-SCHURTER>

Wire length: 150 mm

Suffix "21" corresponds to the version with V-Lock mating cordset. The connector is equipped with a notch intended for use with the latching cordset. The cord latching system prevents against accidental removal of the cordset. Available only for screw-on versions.

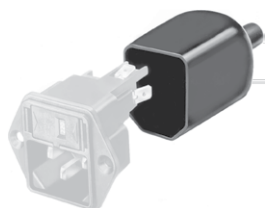
**Packaging unit** 20 Pcs

**Accessories**

**Description**



**Wire Harness**  
Wire harness for SCHURTER products



**Assorted Covers**  
Rear Cover

0859.0047



**Cord retaining kits**  
Cord retaining strain relief

Countersunk, K  
Flat head, L

4700.0010  
4700.0011

## Mating Outlets/Connectors

### Category / Description



[Connector Overview complete](#)

IEC Connector C19, Rewireable, Straight	4795
IEC Connector C19, Rewireable, Angled	4790
IEC Connector C19, Rewireable, Straight	0104U

[Connector further types to C20F](#)

## Mating Outlets/Connectors shuttered



[Power Cord Overview complete](#)

Overview Power Cord with IEC Appliance Connector C19, V-Lock, straight	VAC19KS
--	---------

[Power Cord further types to C20F](#)