

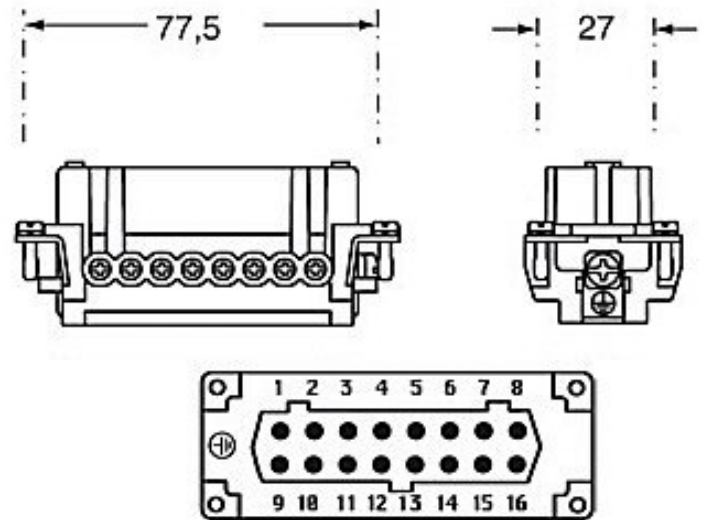
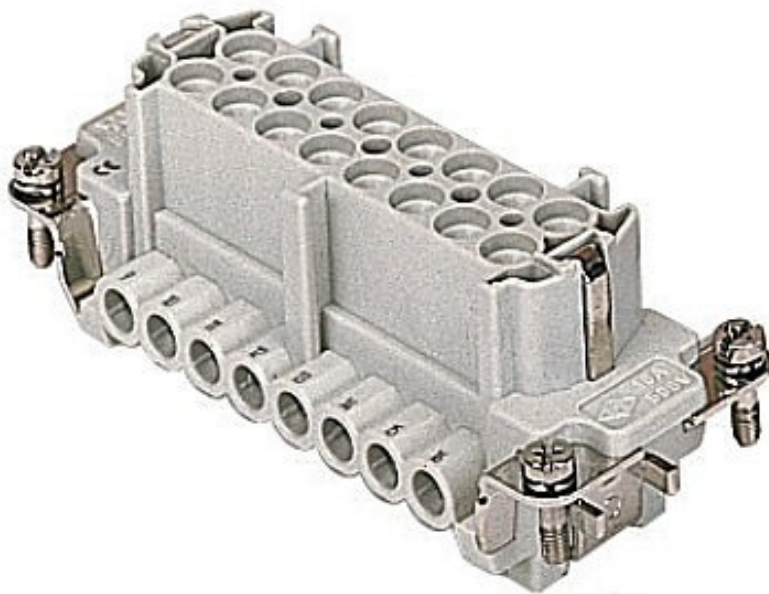
# Product Sheet


Part Number:

CNEF 16 T



www.ilme.com



Family	inserts
Version	screw terminal connections
Series	CNE
Product type	with female contacts
Type	with plate
Model	female insert
Reference standard	EN 61984 (2001-11)
Contact type	silver plated
No. of poles	16 poles + 
Voltage (V)	500V
Current (A)	16A (A.C./D.C.)
Wire section	0,5mm <sup>2</sup> - 2,5mm <sup>2</sup>
Awg size	20 - 14

Quality mark



The information and the dimensions contained are not binding and may be changed without prior notice.  
The drawing's dimensions are in mm.