

Cat 5E Patch Cable

multicomp PRO

**RoHS
Compliant**



Cord Information:

Component		Description	
	No. of Pair	4 each.	
Twisted Pair Wire	Conductor	Constitution	24AWG (7/0.2mm)
		Material	Stranded Bare Copper
		O.D.	0.61mm
	Insulation	Material	PE
		Thickness	0.19mm Ref.
		O.D.	0.97mm ±0.05mm
	Colour	(1) Blue & White/blue (2) Orange & White/Orange (3) Green & White/Green (4) Brown & White/Brown	
Cable Core		All the cabling elements shall be lay-up together in concentric layers "s" direction With Lay Length 100mm Ref.	
Jacket	Material	PVC	
	Thickness	0.58mm Ref.	
	O.D.	5.2mm ±0.2mm	
	Colour	See the Part No. Table*	
	Hardness Durometer	Shore "A" 88 ±3	
Temperature Rating		75°C	
Conductor Resistance		89Ω/kM Max. at 20°C	
Insulation Resistance		100MΩ/kM Min. at 20°C	
Dielectric Strength		500V AC/1 Minute	
Spark Test		2kV in Air	
Impedance		100 ±15Ω (From 1 MHz to 350 MHz)	

Wire Connection Table

J1	Wire Color		J2
1	White / Orange	Twisted Pair	1
2	Orange		2
3	White / Green	Twisted Pair	3
6	Green		6
4	Blue	Twisted Pair	4
5	White / Blue		5
7	White / Brown	Twisted Pair	7
8	Brown		8

No.	Item	Qty.	Description
1	Enhance Category 5E UTP LAN Cable	1 Pc	#24 × 4P + Jacket : PVC, O.D = Ø5.2mm UL CM & CSA CMG FT4 Frequency : 350MHz
2	RJ-45 8P8C Modular Plug	2 Set	Contact : Copper Alloy 15µ", Gold Plated Insulator: Polycarbonate Colour : Natural With "CBS" Marking

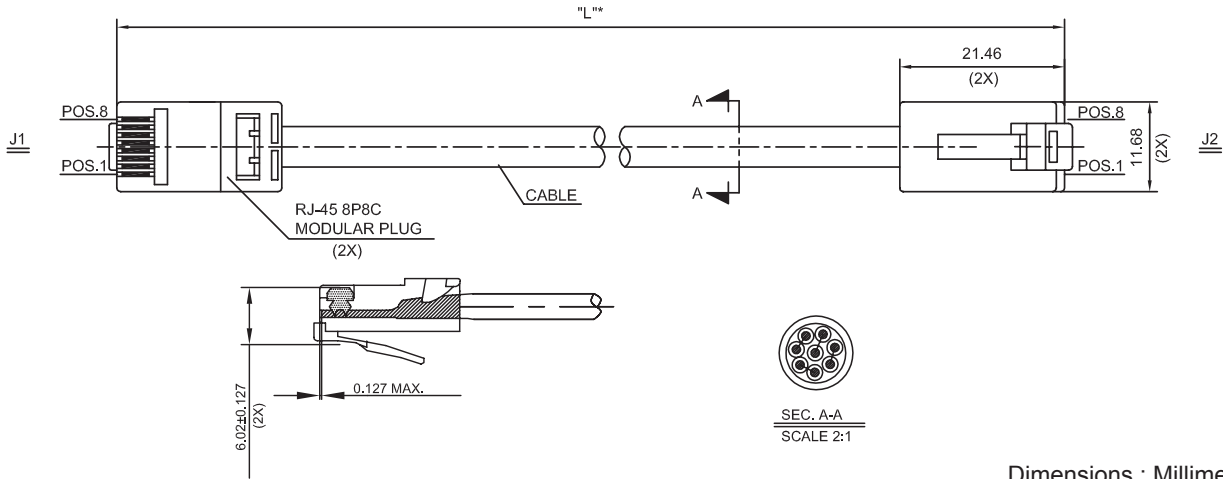
Newark.com/multicomp-pro
Farnell.com/multicomp-pro
Element14.com/multicomp-pro

multicomp PRO

Cat 5E Patch Cable



Diagram:



Dimensions : Millimetres

Part Number Table

Description	"L"	*Colour	Part Number
Cat 5E Patch Cable	304.8mm ±12.7mm (1' ±0.5")	Black	SPC21902
		Blue	SPC21903
	914.4mm ±25.4mm (3' ±1")	Black	SPC21908
		Blue	SPC21909
		Orange	SPC21911
	1524mm ±25.4mm (5' ±1")	Black	SPC21915
		Blue	SPC21916
	2133.6mm ±25.4mm (7' ±1")	Black	SPC21922
		Blue	SPC21923
	4267.2mm ±38.1mm (14' ±1.5")	Orange	SPC21939
7620mm ±50.8mm (25' ±2")	Yellow	SPC21947	

Important Notice : This data sheet and its contents (the "Information") belong to the members of the AVNET group of companies (the "Group") or are licensed to it. No licence is granted for the use of it other than for information purposes in connection with the products to which it relates. No licence of any intellectual property rights is granted. The Information is subject to change without notice and replaces all data sheets previously supplied. The Information supplied is believed to be accurate but the Group assumes no responsibility for its accuracy or completeness, any error in or omission from it or for any use made of it. Users of this data sheet should check for themselves the Information and the suitability of the products for their purpose and not make any assumptions based on information included or omitted. Liability for loss or damage resulting from any reliance on the Information or use of it (including liability resulting from negligence or where the Group was aware of the possibility of such loss or damage arising) is excluded. This will not operate to limit or restrict the Group's liability for death or personal injury resulting from its negligence. Multicomp Pro is the registered trademark of Premier Farnell Limited 2019.

Newark.com/multicomp-pro
 Farnell.com/multicomp-pro
 Element14.com/multicomp-pro

