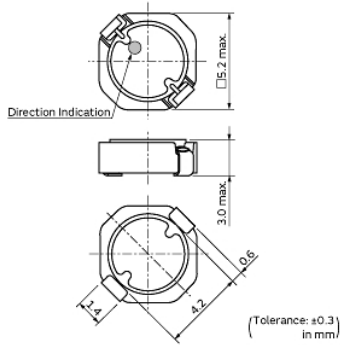


# #A915AY-220M=P3



## Appearance & Shape



## References

Packaging	Specifications	Standard Packing Quantity
=P3	330Embossed Tape	2000

Mass (typ.)	
1 piece	0.223g

## Notices

Rated current ( $I_{sat}$ ) is specified when the decrease of the initial inductance value at 30%. Rated current ( $I_{temp}$ ) is specified when temperature of the inductor is raised 40°C by DC current.

### Attention

- 1.This datasheet is downloaded from the website of Murata Manufacturing Co., Ltd. Therefore, it's specifications are subject to change or our products in it may be discontinued without advance notice. Please check with our sales representatives or product engineers before ordering.
- 2.This datasheet has only typical specifications because there is no space for detailed specifications. Therefore, please review our product specifications or consult the approval sheet for product specifications before ordering.

# #A915AY-220M=P3



## Specifications

L size	5.2mm
W size	5.2mm
T size	3.0mm
Size code inch (mm)	2020 (5252)
Inductance	22 $\mu$ H $\pm$ 20%
Inductance Test Frequency	0.1MHz
Rated current (Isat) (Based on Inductance change)	860mA
Rated current (Itemp) (Based on Temperature rise)	810mA
Max. of DC resistance	0.208 $\Omega$
Operating Temperature Range (Self-temperature rise is included)	-40°C to 85°C
Class of magnetic shield	Ferrite Core
Brand	Murata
DC Resistance Intermediate Values	0.173 $\Omega$ +20%/-30%
Series	D53LC

### Attention

1.This datasheet is downloaded from the website of Murata Manufacturing Co., Ltd. Therefore, it's specifications are subject to change or our products in it may be discontinued without advance notice. Please check with our sales representatives or product engineers before ordering.

2.This datasheet has only typical specifications because there is no space for detailed specifications.

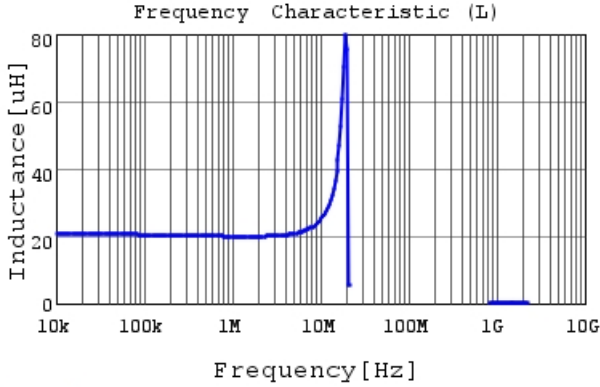
Therefore, please review our product specifications or consult the approval sheet for product specifications before ordering.

# #A915AY-220M=P3

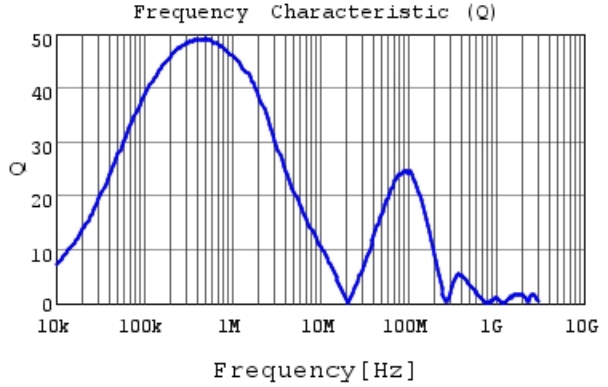


## Characteristic Data

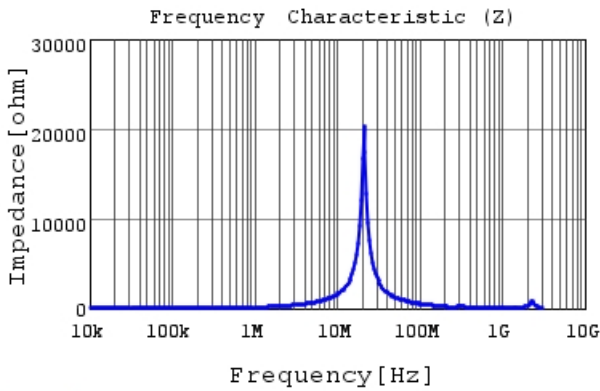
The charts below may show another part number which shares its characteristics.



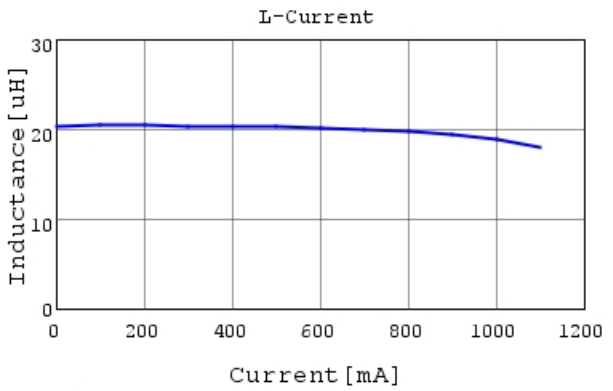
#A915AY-220M=P3 L



#A915AY-220M=P3 Q



#A915AY-220M=P3 |Z|

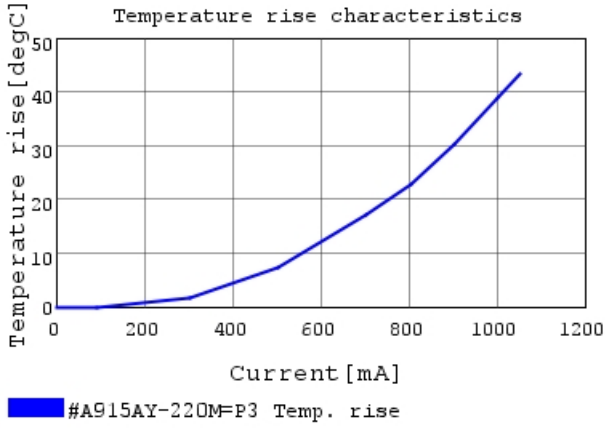


#A915AY-220M=P3 L-Current 20degC

**Attention**

- 1.This datasheet is downloaded from the website of Murata Manufacturing Co., Ltd. Therefore, it's specifications are subject to change or our products in it may be discontinued without advance notice. Please check with our sales representatives or product engineers before ordering.
- 2.This datasheet has only typical specifications because there is no space for detailed specifications. Therefore, please review our product specifications or consult the approval sheet for product specifications before ordering.

# #A915AY-220M=P3



### Attention

- 1.This datasheet is downloaded from the website of Murata Manufacturing Co., Ltd. Therefore, it's specifications are subject to change or our products in it may be discontinued without advance notice. Please check with our sales representatives or product engineers before ordering.
- 2.This datasheet has only typical specifications because there is no space for detailed specifications.  
Therefore, please review our product specifications or consult the approval sheet for product specifications before ordering.