

Interchangeable jaw grip, soft

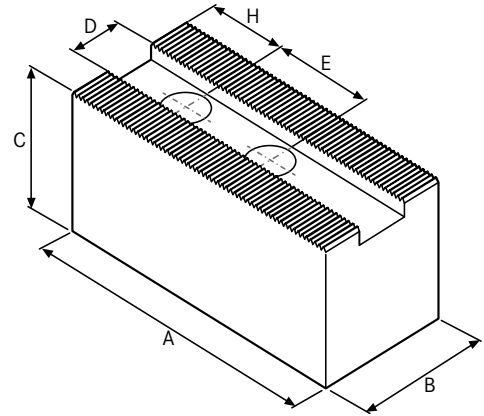
Made from steel

ATORN[®]

Delivery

3 pieces in a set

Art. No.	22430 371
Jaws length	180 mm
Jaws width	65 mm
Jaws height	110 mm
Jaw length x jaw width x jaw height	180 x 65 x 110 mm
Groove width	25 mm
Drilling clearance	60 mm
Toothing	3.0 mm x 60°
Suitable for thread	M20
Material of the jaws	Steel



EAN-Code

4050293685046