

91017-3 ✓ ACTIVE

## AMP-TAB

TE Internal #: 91017-3

Insertion & Extraction Tools, Contact Extraction, Contact-to-Housing

[View on TE.com >](#)



Application Tooling > Insertion & Extraction Tools



Insertion & Extraction Tool Type: **Contact Extraction**

Insertion & Extraction Tool Application: **Contact-to-Housing**

## Features

### Product Type Features

Insertion & Extraction Tool Type	Contact Extraction
Insertion & Extraction Tool Application	Contact-to-Housing

## Product Compliance

[For compliance documentation, visit the product page on TE.com>](#)

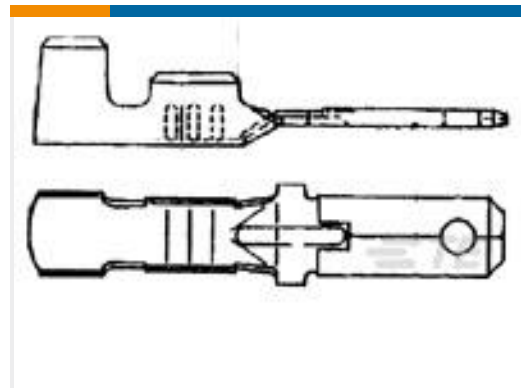
EU RoHS Directive 2011/65/EU	Compliant
EU ELV Directive 2000/53/EC	Compliant
China RoHS 2 Directive MIIT Order No 32, 2016	No Restricted Materials Above Threshold
EU REACH Regulation (EC) No. 1907/2006	Current ECHA Candidate List: JAN 2021 (211) Candidate List Declared Against: JAN 2021 (211) Does not contain REACH SVHC
Halogen Content	Low Halogen - Br, Cl, F, I < 900 ppm per homogenous material. Also BFR/CFR/PVC Free
Solder Process Capability	Not reviewed for solder process capability

### Product Compliance Disclaimer

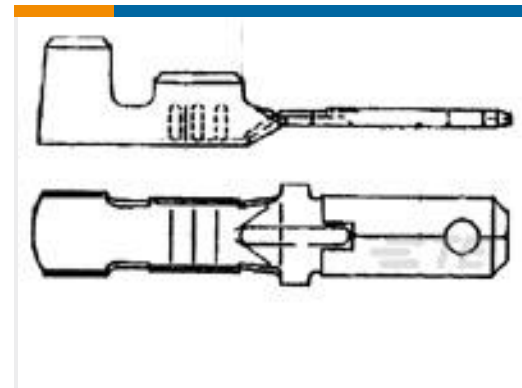
This information is provided based on reasonable inquiry of our suppliers and represents our current actual knowledge based on the information they provided. This information is subject to change. The part numbers that TE has identified as EU RoHS compliant have a maximum concentration of 0.1% by weight in homogenous materials for lead, hexavalent chromium, mercury, PBB, PBDE, DBP, BBP, DEHP, DIBP, and 0.01% for cadmium, or qualify for an exemption to these limits as defined in the Annexes of Directive 2011/65/EU (RoHS2). Finished electrical and electronic equipment products will be CE marked as required by Directive 2011/65/EU. Components may not be CE marked. Additionally, the part numbers that TE has identified as EU ELV compliant have a maximum concentration of 0.1% by weight in homogenous materials for lead, hexavalent chromium, and mercury, and 0.01% for cadmium, or qualify for an exemption to these limits as defined in the Annexes of Directive 2000/53/EC (ELV). Regarding the REACH Regulation, the information TE provides

on SVHC in articles for this part number is based on the latest European Chemicals Agency (ECHA) 'Guidance on requirements for substances in articles' posted at this URL: <https://echa.europa.eu/guidance-documents/guidance-on-reach>

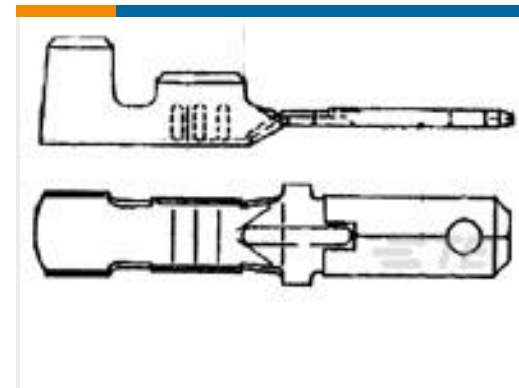
## Compatible Parts




TE Part # 66168-2  
AMP-TAB TERM. L.P.



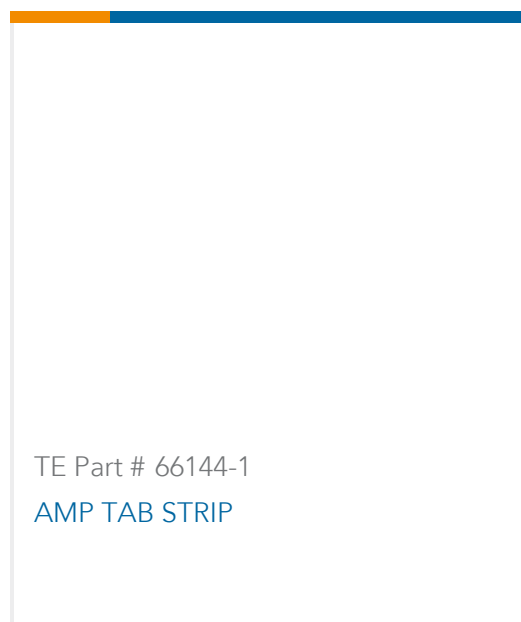
TE Part # 66144-2  
AMP-TAB STRIP



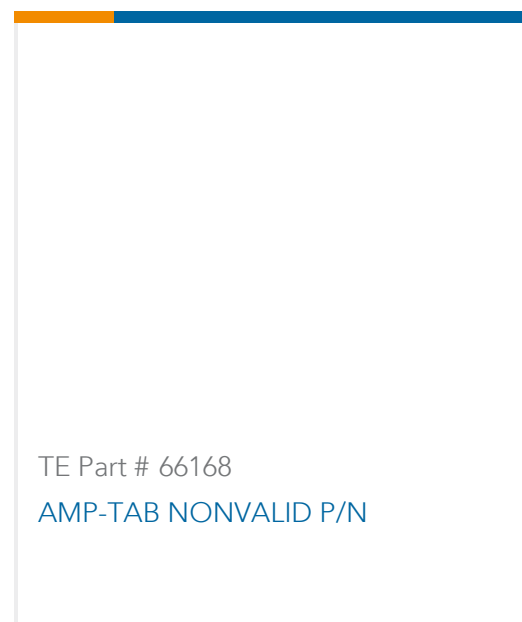
TE Part # 66169-2  
AMP-TAB L.P. TERMINAL



TE Part # 66143-2  
AMP TAB STRIP



TE Part # 66144-1  
AMP TAB STRIP



TE Part # 66168  
AMP-TAB NONVALID P/N


## Customers Also Bought



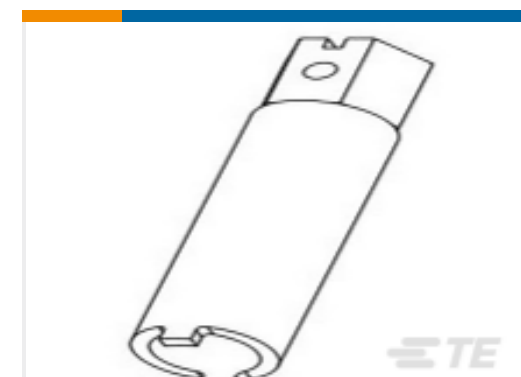
TE Part #1617037-7  
HFW5A1201G00 = HFW 5AMP RELAY



TE Part #1-406541-6  
MJ,INV,1X1,6PNL G,.140"ST,SN




TE Part #1-1617076-1  
3SBH1139A2 = M39016/14-002M



TE Part #1604972-1  
WRENCH,SPIGOT,JS & JACK POST



TE Part #1-1617028-3  
HFW1101K00 = HFW 1/2 SIZE RELAY



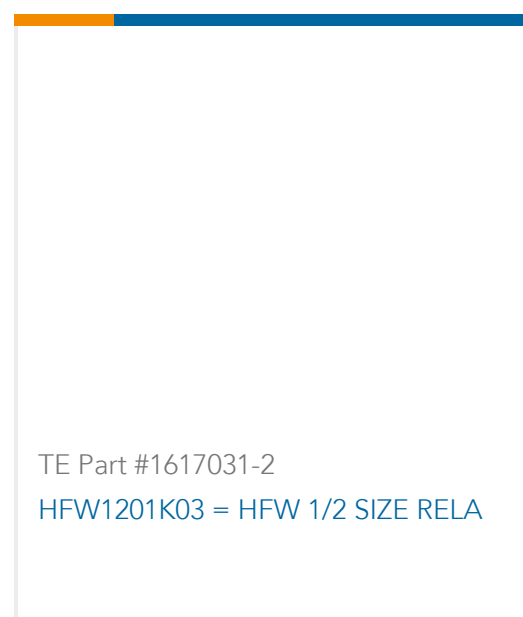
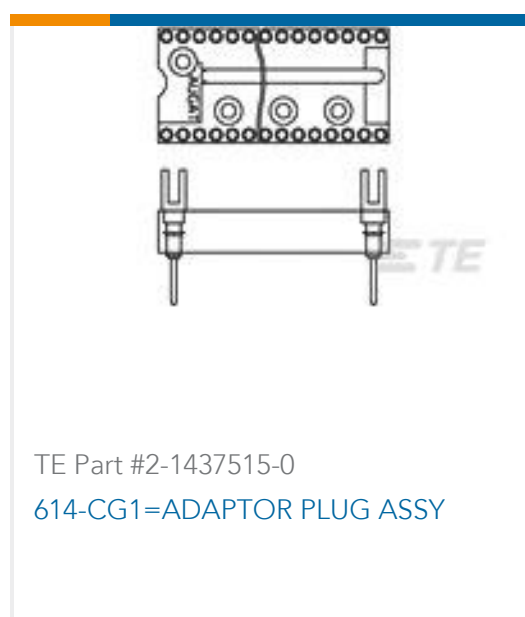
TE Part #167089-000  
55PC0111-22-9CS2502



TE Part #993020-000  
IR-1000-P-N-13-LAMP



TE Part #1738894-1  
TWEEZER REMOVAL TOOL,QUADRAX



## Documents

### Datasheets & Catalog Pages

[Insertion-Extraction-Tool-2345721-1](#)

English

[Crimp Term Whitepaper-Use the Right Tool 1-1773953-1](#)

English

[CRIMPING WHERE FORM MEETS FUNCTION](#)

English

---

### Instruction Sheets

[Instruction Sheet \(U.S.\)](#)

English

[Extraction Tool for AMP-TAB Male \(TAB\) Terminals](#)

English