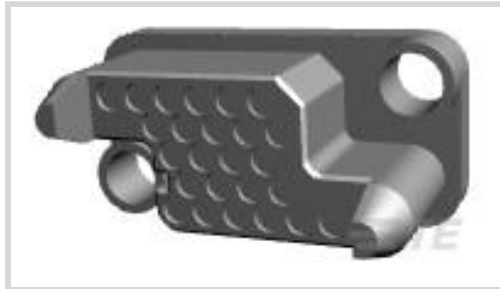




Connectors > Rectangular Connectors > Standard Rectangular Connectors

Connector Product Type: **Connector Assembly**Connector & Housing Type: **Plug**Mating Alignment: **With**Mating Alignment Type: **Blindmate**Mating Retention: **Without**

Features

Product Type Features

Connector Type	Header
Connector Product Type	Connector Assembly
Connector & Housing Type	Plug
Connector System	Wire-to-Board
Insertion Force Type	Normal
Sealable	No
Connector & Contact Terminates To	Printed Circuit Board

Configuration Features

PCB Mount Orientation	Vertical
Number of Positions	25
Number of Rows	5
Panel Gasket	Without

Electrical Characteristics

Operating Voltage	600 VDC
-------------------	---------

Body Features

Drawer Style	Standard
--------------	----------

Contact Features

Contact Layout	Matrix
----------------	--------



Contact Type	Socket
Contact Transmits (Typical)	Signal (Data)
Tail Plating Material	Tin
PCB Contact Termination Area Plating Material	Tin
Contact Mating Area Plating Material	Gold
Contact Retention Within Housing	Without
Contact Current Rating (Max)	7.5 A

Termination Features

Termination Method to Printed Circuit Board	Through Hole - Solder
Termination Method to Wire & Cable	Crimp Terminal

Mechanical Attachment

Mating Alignment	With
Mating Alignment Type	Blindmate
Mating Retention	Without
PCB Mount Retention	With
PCB Mount Retention Type	Mounting Hole
Connector Mounting Type	Board Mount

Housing Features

Housing Color	Black
Housing Material	Polyester
	.2 in

Dimensions

	2.462 in
PCB Thickness (Recommended)	1.6 mm[.063 in]
Tail Length	6.25 mm[.246 in]
Row-to-Row Spacing	4.39 mm[.173 in]

Usage Conditions

Operating Temperature Range	-55 – 130 °C[-67 – 266 °F]
-----------------------------	----------------------------

Operation/Application

For Use With	Hardware 208211-1 or -4, Receptacle Housing
Shielded	No



Circuit Application	Power & Signal
---------------------	----------------

Industry Standards

Agency/Standard	CSA, UL
UL Rating	Certified, Recognized
VDE Tested	Yes
CSA File Number	LR16455
UL File Number	E28476
UL Flammability Rating	UL 94V-0

Packaging Features

Packaging Quantity	10
Packaging Method	Box & Tray, Tray

Other

Comment	Hardware not supplied.
---------	------------------------

Product Compliance

[For compliance documentation, visit the product page on TE.com>](#)

EU RoHS Directive 2011/65/EU	Compliant
EU ELV Directive 2000/53/EC	Compliant
China RoHS 2 Directive MIIT Order No 32, 2016	No Restricted Materials Above Threshold
EU REACH Regulation (EC) No. 1907/2006	Current ECHA Candidate List: JAN 2021 (211) Candidate List Declared Against: JAN 2021 (211) Does not contain REACH SVHC
Halogen Content	Not Low Halogen - contains Br or Cl > 900 ppm.
Solder Process Capability	Not reviewed for solder process capability

Product Compliance Disclaimer

This information is provided based on reasonable inquiry of our suppliers and represents our current actual knowledge based on the information they provided. This information is subject to change. The part numbers that TE has identified as EU RoHS compliant have a maximum concentration of 0.1% by weight in homogenous materials for lead, hexavalent chromium, mercury, PBB, PBDE, DBP, BBP, DEHP, DIBP, and 0.01% for cadmium, or qualify for an exemption to these limits as defined in the Annexes of Directive 2011/65/EU (RoHS2). Finished electrical and electronic equipment products will be CE marked as required by Directive 2011/65/EU. Components may not be CE marked. Additionally, the part numbers that TE has identified as EU ELV compliant have a maximum concentration of 0.1% by weight in homogenous materials for lead, hexavalent chromium, and mercury, and 0.01% for cadmium, or qualify for an exemption to these limits as defined in the Annexes of Directive 2000/53/EC (ELV). Regarding the REACH Regulation, the information TE provides on SVHC in articles for this part number is based on the latest European Chemicals Agency (ECHA) 'Guidance on requirements for substances in articles' posted at this URL: <https://echa.europa.eu/guidance-documents/guidance-on-reach>

Compatible Parts



TE Part # 213672-3
25P RECT ASSY, DRWR CONN LF

Also in the Series | AMP Metrimate



Insertion & Extraction Tools(1)



Rectangular Boots & Strain Relief(9)



Rectangular Connector Hardware(4)



Rectangular Connector Housings(35)



Rectangular Connector Keying Plugs(1)



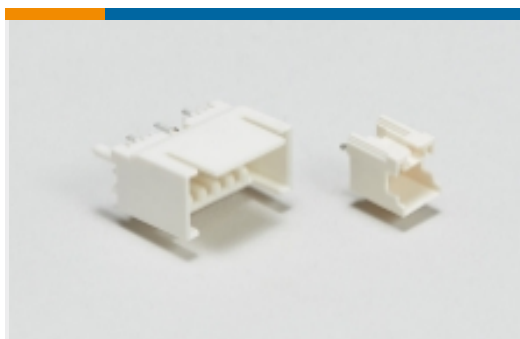
Rectangular Contact Inserts(7)



Rectangular Power Connectors(2)

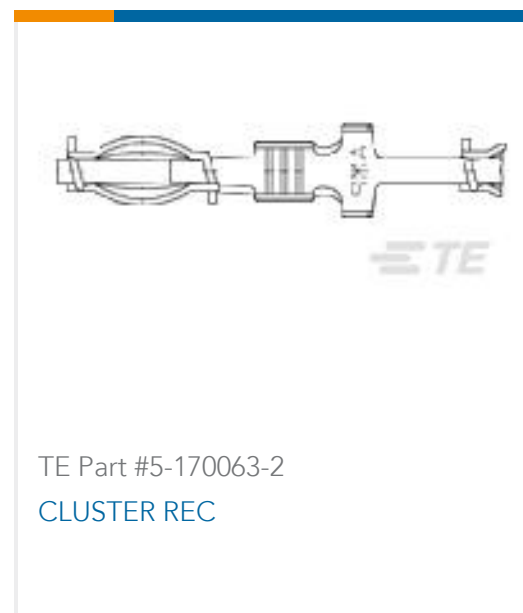
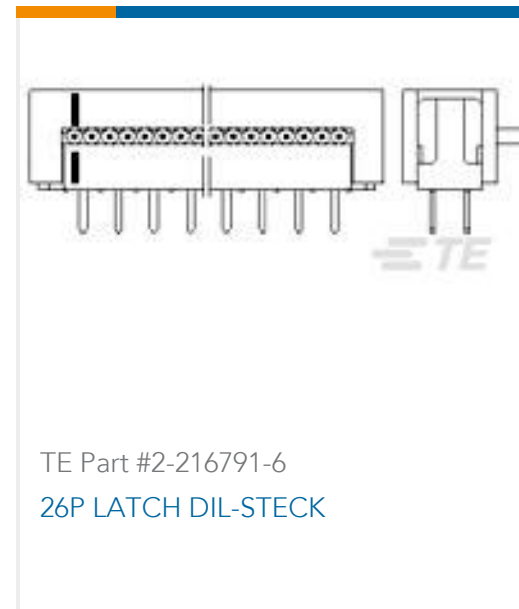
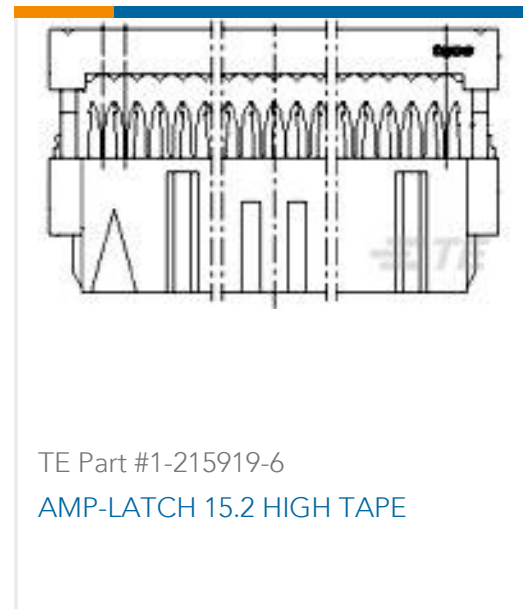


Standard Rectangular Connectors(5)



Wire-to-Board Headers & Receptacles
(83)

Customers Also Bought



Documents

Product Drawings

[25P MMATE DRWR CONN LF](#)

English

CAD Files

Customer View Model

[ENG_CVM_213881-3_B.3d_igs.zip](#)

English

Customer View Model

[ENG_CVM_213881-3_B.3d_stp.zip](#)

English

Customer View Model

[ENG_CVM_213881-3_B.2d_dxf.zip](#)

English

[3D PDF](#)

English

By downloading the CAD file I accept and agree to the [Terms and Conditions](#) of use.

Datasheets & Catalog Pages



METRIMATE_PIN_SOCKET_CATALOG

English

Product Specifications

Application Specification

English

Application Specification

English

METRIMATE Self-Locking Connectors

Japanese

Application Specification

Japanese