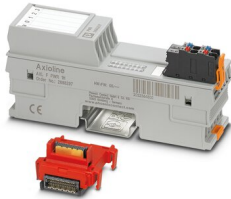


Power module - AXL F PWR 1H

2688297

<https://www.phoenixcontact.com/pc/products/2688297>

Please be informed that the data shown in this PDF document is generated from our Online Catalog. Please find the complete data in the user documentation. Our General Terms of Use for Downloads are valid.



Axioline F, Power module for the logic supply U_{BUS} , max. 4 A, degree of protection: IP20, including bus base module and Axioline F connector

Product Description

The module is designed for use within an Axioline F station. If the maximum load of the bus coupler for the Axioline F local bus supply (communications power U_{BUS}) is reached, this module can be used to provide this voltage again. To this end, apply a 24 V DC voltage (U_L) to the module from which the U_{BUS} is generated.

Your advantages

- Supply of the 24 V voltage U_L for generating the communications power U_{BUS}
- Diagnostic and status indicators

Commercial Data

Item number	2688297
Packing unit	1 pc
Minimum order quantity	1 pc
Product Key	DRI223
Catalog Page	Page 73 (C-6-2019)
GTIN	4046356566209
Weight per Piece (including packing)	157.9 g
Weight per Piece (excluding packing)	107 g
Customs tariff number	85389091
Country of origin	DE

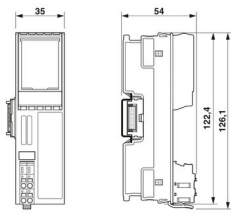
Power module - AXL F PWR 1H

2688297

<https://www.phoenixcontact.com/pc/products/2688297>

Technical Data

Dimensions

Dimensional drawing	
Width	35 mm
Height	126.1 mm
Depth	54 mm
Note on dimensions	The depth applies when a TH 35-7.5 DIN rail is used (in accordance with EN 60715).

Notes

Utilization restriction

EMC note	EMC: class A product, see manufacturer's declaration in the download area
----------	---

Material specifications

Color	traffic grey A RAL 7042
-------	-------------------------

Interfaces

Axiline F local bus

Number of interfaces	2
Connection method	Bus base module

Product properties

Type	block modular
Product type	I/O component
Mounting position	any (no temperature derating)
Scope of delivery	including bus base module and Axiline F connector

Insulation characteristics

Overvoltage category	II (IEC 60664-1, EN 60664-1)
Pollution degree	2 (IEC 60664-1, EN 60664-1)

Electrical properties

Maximum power dissipation for nominal condition	22 W
---	------

Potentials: Communications power U_L feed-in (the supply of the Axiline F local bus U_{Bus} is generated from U_L)

Supply voltage	24 V DC
Supply voltage range	19.2 V DC ... 30 V DC (including all tolerances, including ripple)

Power module - AXL F PWR 1H



2688297

<https://www.phoenixcontact.com/pc/products/2688297>

Current draw	max. 1.2 A ($I_{Bus} = 4 \text{ A}$; $U_L = 19,2 \text{ V}$)
Power consumption	max. 22 W ($I_{Bus} = 4 \text{ A}$)
Protective circuit	Surge protection; electronic (35 V, 0.5 s) Reverse polarity protection; parallel diode; with external 5 A fuse (only for commissioning)

Potentials: Axioline F local bus supply (U_{Bus})

Supply voltage	5 V DC (via bus base module)
Power supply unit	max. 4 A

Connection data

Connection technology

Connection name	Axioline F connector
Note on the connection method	Please observe the information provided on conductor cross sections in the "Axioline F: system and installation" user manual.

Conductor connection

Connection method	Push-in connection
Conductor cross section solid	0.2 mm ² ... 1.5 mm ²
Conductor cross section flexible	0.2 mm ² ... 1.5 mm ²
Conductor cross section AWG	24 ... 16
Stripping length	8 mm

Axioline F connector

Connection method	Push-in connection
Note on the connection method	Please observe the information provided on conductor cross sections in the "Axioline F: system and installation" user manual.
Conductor cross section, rigid	0.2 mm ² ... 1.5 mm ²
Conductor cross section, flexible	0.2 mm ² ... 1.5 mm ²
Conductor cross section AWG	24 ... 16
Stripping length	8 mm

Ambient conditions

Ambient temperature (operation)	-25 °C ... 60 °C
Degree of protection	IP20
Air pressure (operation)	70 kPa ... 106 kPa (up to 3000 m above sea level)
Air pressure (storage/transport)	70 kPa ... 106 kPa (up to 3000 m above sea level)
Ambient temperature (storage/transport)	-40 °C ... 85 °C
Permissible humidity (operation)	5 % ... 95 % (non-condensing)
Permissible humidity (storage/transport)	5 % ... 95 % (non-condensing)

Standards and regulations

Protection class	III (IEC 61140, EN 61140, VDE 0140-1)
------------------	---------------------------------------

Mounting

Mounting type	DIN rail mounting
---------------	-------------------

Power module - AXL F PWR 1H

2688297

<https://www.phoenixcontact.com/pc/products/2688297>



Mounting position	any (no temperature derating)
-------------------	-------------------------------

Power module - AXL F PWR 1H

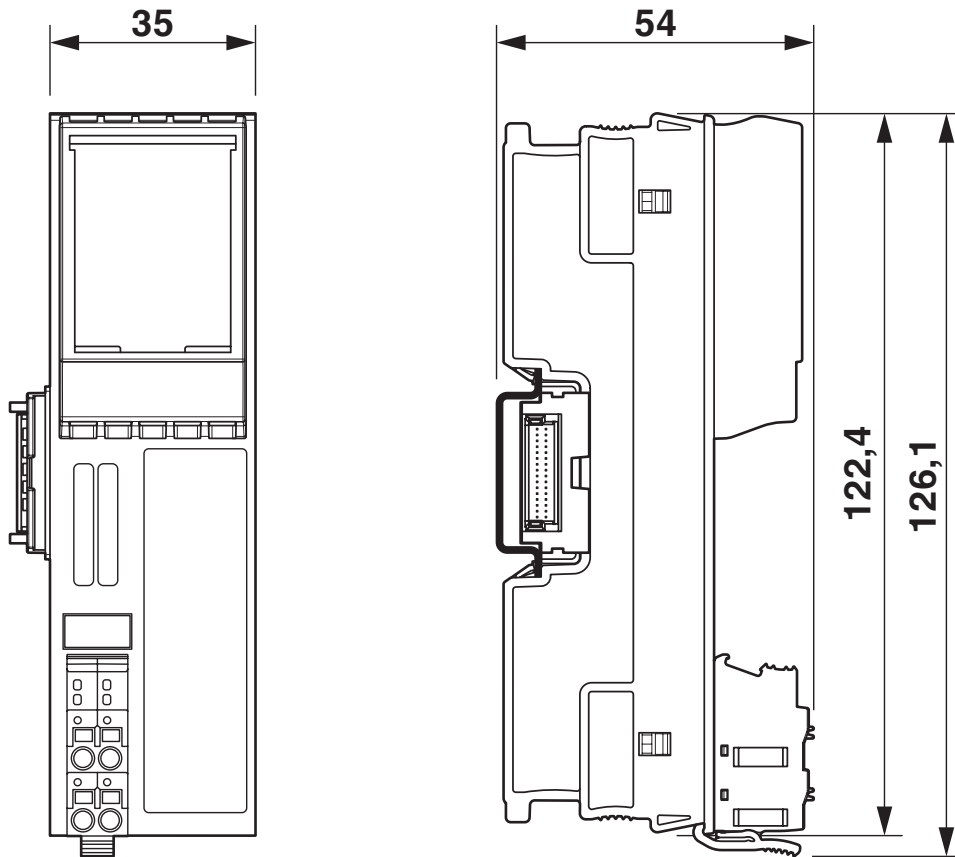
2688297

<https://www.phoenixcontact.com/pc/products/2688297>



Drawings

Dimensional drawing



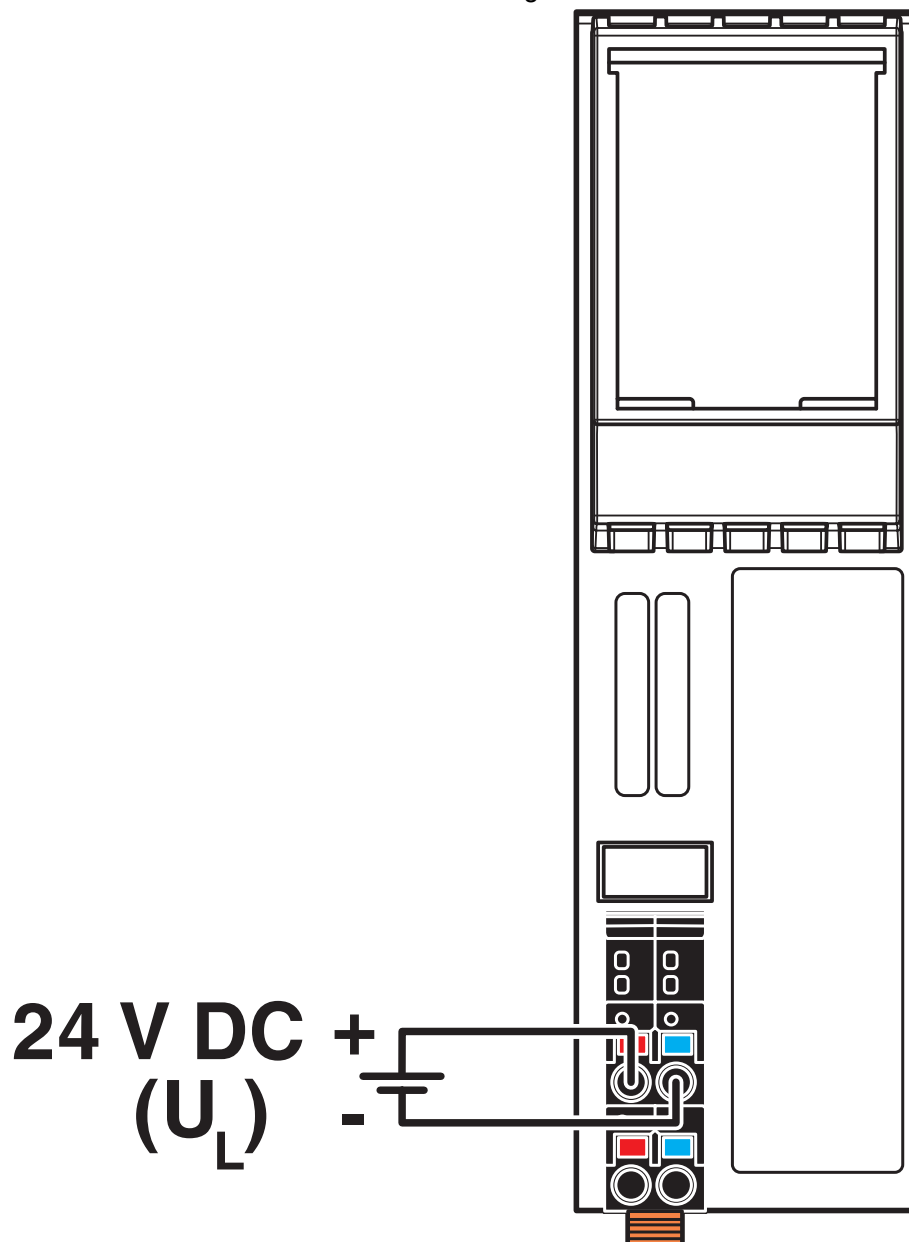
Power module - AXL F PWR 1H

2688297

<https://www.phoenixcontact.com/pc/products/2688297>



Connection diagram

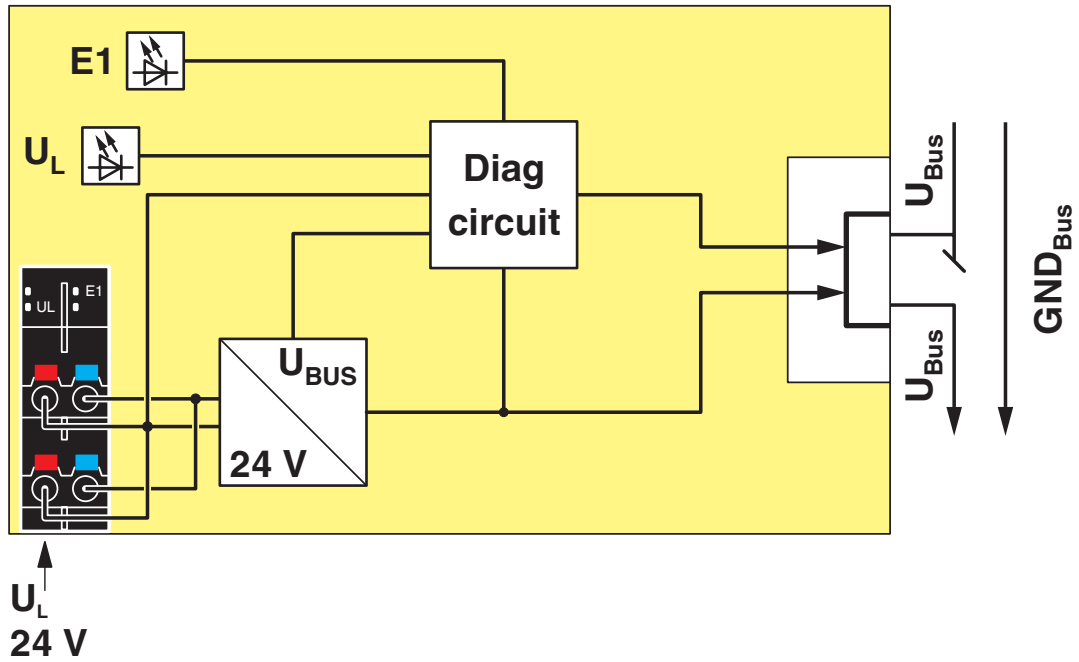


Power module - AXL F PWR 1H

2688297

<https://www.phoenixcontact.com/pc/products/2688297>

Block diagram



Basic circuit diagram

Power module - AXL F PWR 1H



2688297

<https://www.phoenixcontact.com/pc/products/2688297>

Approvals



EAC

Approval ID: TR_TS_D_01831-19



DNV GL

Approval ID: TAA00000DF



LR

Approval ID: LR2001902TA



NK

Approval ID: 14A006



BV

Approval ID: 36433/B4 BV



PRS

Approval ID: TE/1020/880590/21



UL Listed

Approval ID: FILE E 238705



cUL Listed

Approval ID: FILE E 238705

BSH

Approval ID: 840



RINA

Approval ID: ELE283021XG

ABS

Approval ID: 21-2187864-PDA

cULus Listed

Power module - AXL F PWR 1H

2688297

<https://www.phoenixcontact.com/pc/products/2688297>



Power module - AXL F PWR 1H



2688297

<https://www.phoenixcontact.com/pc/products/2688297>

Classifications

ECLASS

ECLASS-9.0	27242610
ECLASS-10.0.1	27242610
ECLASS-11.0	27242610

ETIM

ETIM 8.0	EC001600
----------	----------

UNSPSC

UNSPSC 21.0	32151600
-------------	----------

Power module - AXL F PWR 1H



2688297

<https://www.phoenixcontact.com/pc/products/2688297>

Environmental Product Compliance

REACH SVHC	Lead 7439-92-1
China RoHS	Environmentally Friendly Use Period = 50 years
	For information on hazardous substances, refer to the manufacturer's declaration available under "Downloads"

Power module - AXL F PWR 1H

2688297

<https://www.phoenixcontact.com/pc/products/2688297>

Accessories

Zack marker strip

Zack marker strip - ZB 20,3 AXL UNPRINTED - 0829579

<https://www.phoenixcontact.com/pc/products/0829579>



Zack marker strip for Axioline F (device labeling), in 2 x 20.3 mm pitch, unprinted, 25-section, for individual labeling with B-STIFT 0.8, X-PEN, or CMS-P1-PLOTTER

Zack Marker strip, flat

Zack Marker strip, flat - ZBF 10/5,8 AXL UNPRINTED - 0829580

<https://www.phoenixcontact.com/pc/products/0829580>



Zack Marker strip, flat, Strip, white, unlabeled, can be labeled with: PLOTMARK, CMS-P1-PLOTTER, mounting type: snapped, for terminal block width: 10.15 mm, lettering field size: 4 of 10.15 x 5 mm and 1 of 5.8 x 5 mm, Number of individual labels: 50

Power module - AXL F PWR 1H



2688297

<https://www.phoenixcontact.com/pc/products/2688297>

Insert label

Insert label - EMT (35X28)R - 0801602

<https://www.phoenixcontact.com/pc/products/0801602>



Insert label, for marking the Axioline F series from Phoenix Contact, Roll, white, unlabeled, can be labeled with: THERMOMARK ROLLMASTER 300/600, THERMOMARK X1.2, THERMOMARK ROLL X1, THERMOMARK ROLL 2.0, THERMOMARK ROLL, mounting type: insert, lettering field size: 35 x 28 mm, Number of individual labels: 500

Phoenix Contact 2022 © - all rights reserved

<https://www.phoenixcontact.com>

PHOENIX CONTACT GmbH & Co. KG

Flachsmarktstraße 8

D-32825 Blomberg

+49 (0) 5235-3 00

info@phoenixcontact.com