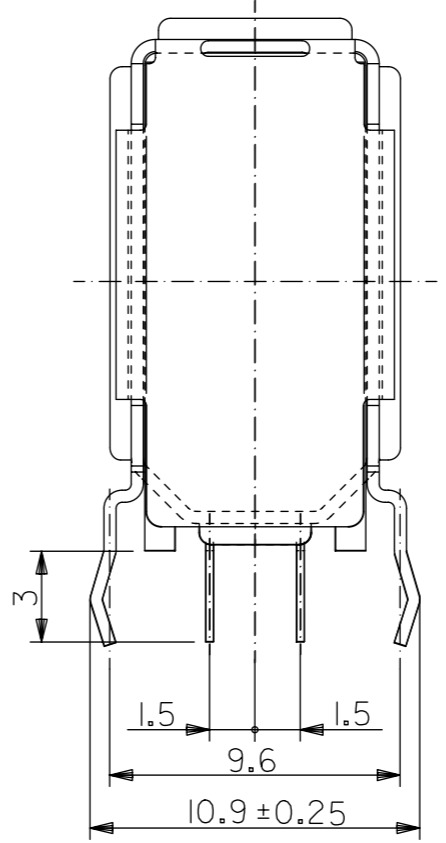


部番 No.	部品名 PARTS NAME	材質 MATERIAL	記事 ARTICLE
①	ハウジング HOUSING	ガラス入り耐熱樹脂 G.F. HEAT RESISTANT PLASTIC	UL94V-0, 色:黒 UL94V-0, COLOR: BLACK
②	ピン PIN	りん青銅 t0.25 PHOSPHOR BRONZE t0.25	接点部 : 金メッキ0.3 μmMIN. CONTACT AREA : GOLD 0.3 μmMIN. 半田付け部 : 錫メッキ1.0 μmMIN. SOLDERTAIL AREA : TIN 1.0 μmMIN. 下地メッキ : ニッケルメッキ2 μmMIN. UNDER-PLATING : NICKEL 2 μmMIN.
③	シェル SHELL	りん青銅 t0.4 PHOSPHOR BRONZE t0.4	錫メッキ : 1.0 μmMIN.* TIN : 1.0 μmMIN. 下地メッキ : ニッケルメッキ1.27 μmMIN.* UNDER-PLATING : NICKEL 1.27 μmMIN.



注記 :  
NOTES :  
1. 本製品は55445-1019のリフローディップ対応品である。  
THIS PRODUCT IS REFLOW DIP VERSION OF 55445-1019.

※半田付け部のみ。  
ONLY SOLDERING PART.

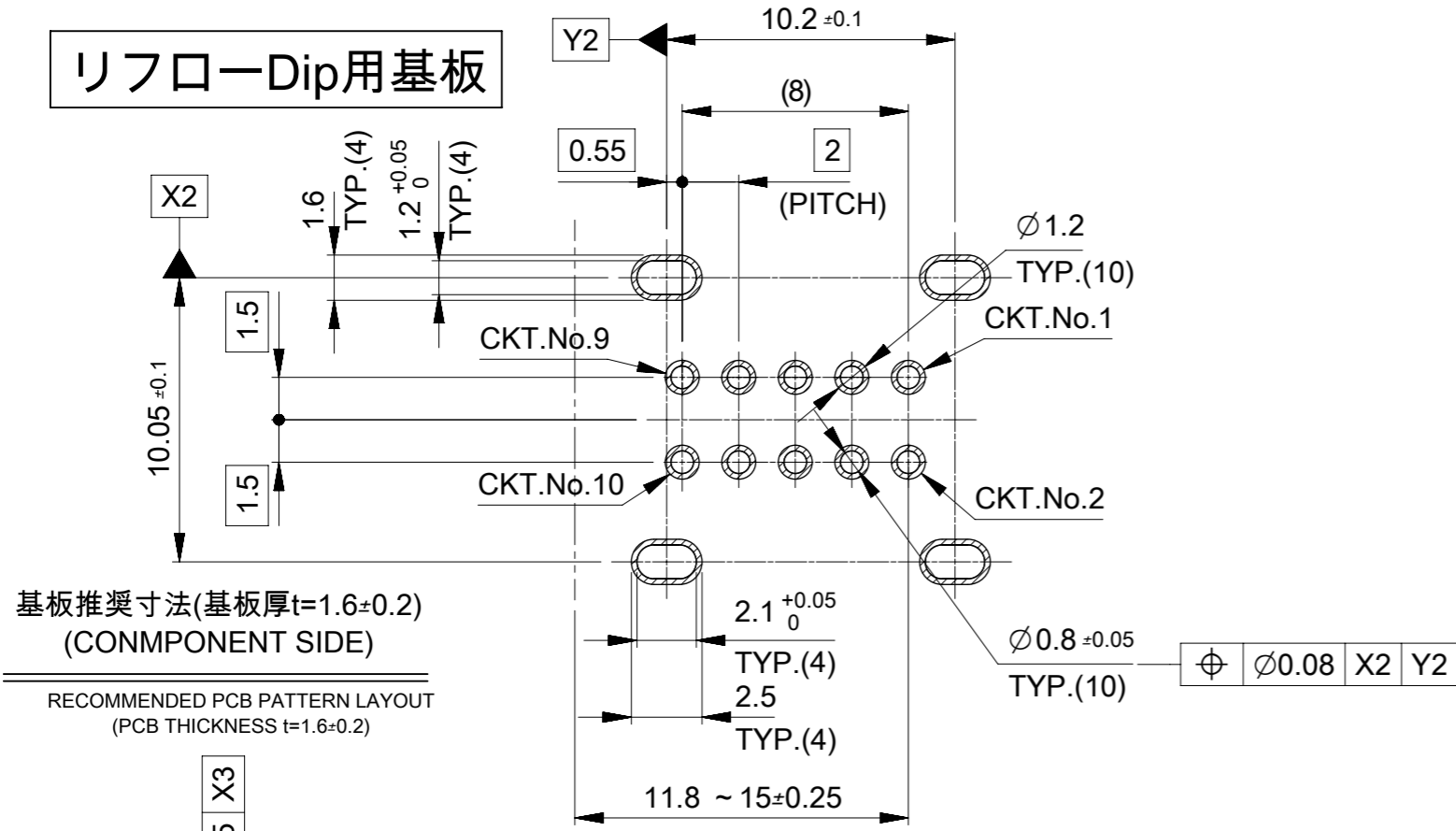
55445-1029	55445-**29
MATERIAL NO.	MODEL NO.

THIS DRAWING CONTAINS INFORMATION THAT IS PROPRIETARY TO MOLEX ELECTRONIC TECHNOLOGIES, LLC AND SHOULD NOT BE USED WITHOUT WRITTEN PERMISSION

EC NO: 116813 DRWN: KTAKEUCHI01 CHK'D: RTAKEUCHI APPR: MSASAO	2017/05/11	2017/05/11	2017/05/11	GENERAL TOLERANCES (UNLESS SPECIFIED) ANGULAR TOL ± 3.0 ° 4 PLACES ± 0.2 3 PLACES ± 0.2 2 PLACES ± 0.2 1 PLACE ± 0.2 0 PLACES ± 0.2 DRAFT WHERE APPLICABLE MUST REMAIN WITHIN DIMENSIONS	DIMENSION UNITS	SCALE			
					MM	4:1			
					DRWN BY	DATE		KTAKEUCHI01	2016/11/11
					CHK'D BY	DATE		RTAKEUCHI	2016/11/14
					APPR BY	DATE	MSASAO	2017/03/13	
					DRAWING SIZE	THIRD ANGLE PROJECTION			
					A3				

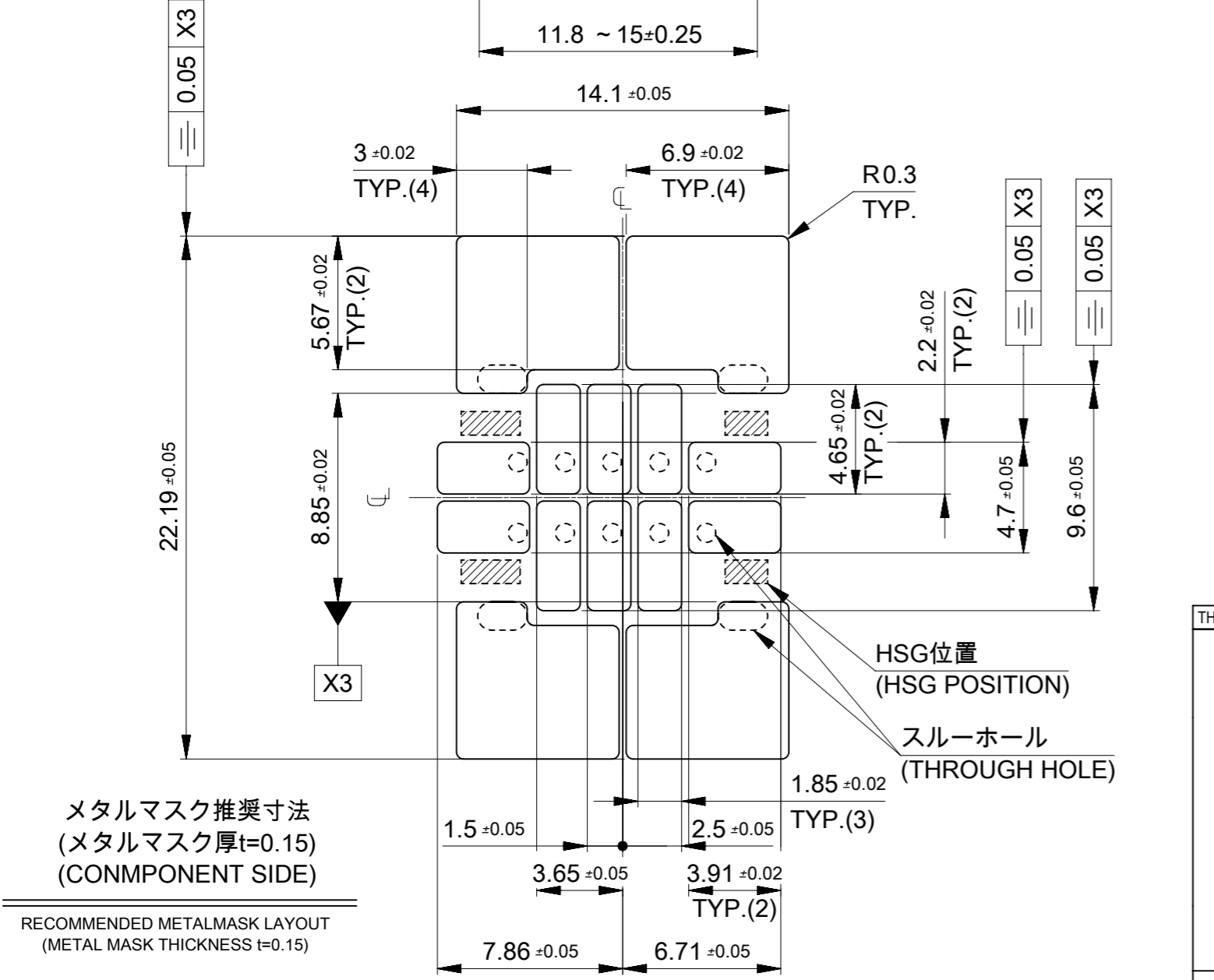
PRODUCT CUSTOMER DRAWING			
SERIES	MATERIAL NUMBER	CUSTOMER	
55445	SEE CHART	GENERAL	
DOCUMENT NUMBER	DOC TYPE	DOC PART	SHEET NUMBER
554450000	PSD	002	1 OF 2

リフローDip用基板



基板推奨寸法(基板厚 $t=1.6\pm0.2$ )  
(COMPONENT SIDE)

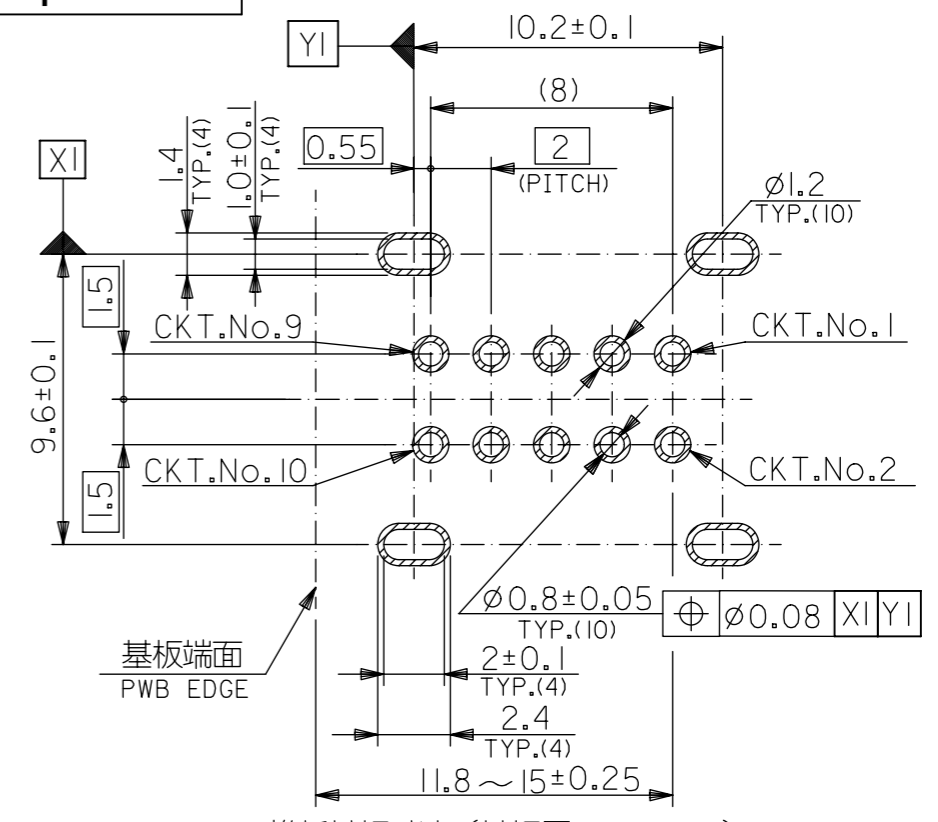
RECOMMENDED PCB PATTERN LAYOUT  
(PCB THICKNESS  $t=1.6\pm0.2$ )



メタルマスク推奨寸法  
(メタルマスク厚 $t=0.15$ )  
(COMPONENT SIDE)

RECOMMENDED METALMASK LAYOUT  
(METAL MASK THICKNESS  $t=0.15$ )

通常Dip用基板



推奨基板寸法(基板厚 $t=1.6\pm0.2$ )  
(COMPONENT SIDE)

RECOMMENDED PCB PATTERN LAYOUT  
(PCB THICKNESS  $t=1.6\pm0.2$ )

THIS DRAWING CONTAINS INFORMATION THAT IS PROPRIETARY TO MOLEX ELECTRONIC TECHNOLOGIES, LLC AND SHOULD NOT BE USED WITHOUT WRITTEN PERMISSION

EC NO: 116813 DRWN: KTAKEUCHI01 CHK'D: RTAKEUCHI APPR: MSASAO	2017/05/11	GENERAL TOLERANCES (UNLESS SPECIFIED)	DIMENSION UNITS	SCALE				
	2017/05/11	ANGULAR TOL $\pm 3.0^\circ$	MM	4:1				
	2017/05/11	4 PLACES $\pm 0.2$	DRWN BY	DATE		2.0 I/O SOCKET UPRIGHT REFLOW DIP HSG ASS'Y -LEAD FREE-		
		3 PLACES $\pm 0.2$	KTAKEUCHI01	2016/11/11				
		2 PLACES $\pm 0.2$	CHK'D BY	DATE		PRODUCT CUSTOMER DRAWING		
	1 PLACE $\pm 0.2$	RTAKEUCHI	2016/11/14					
	0 PLACES $\pm 0.2$	APPR BY	DATE	SERIES	MATERIAL NUMBER	CUSTOMER		
		DRAFT WHERE APPLICABLE MUST REMAIN WITHIN DIMENSIONS	DRAWING SIZE	THIRD ANGLE PROJECTION	55445	SEE SHEET 1	GENERAL	
			A3		DOCUMENT NUMBER	DOC TYPE	DOC PART	SHEET NUMBER
					554450000	PSD	002	2 OF 2