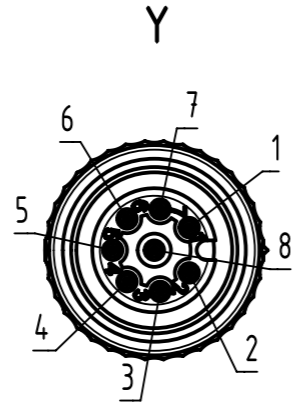
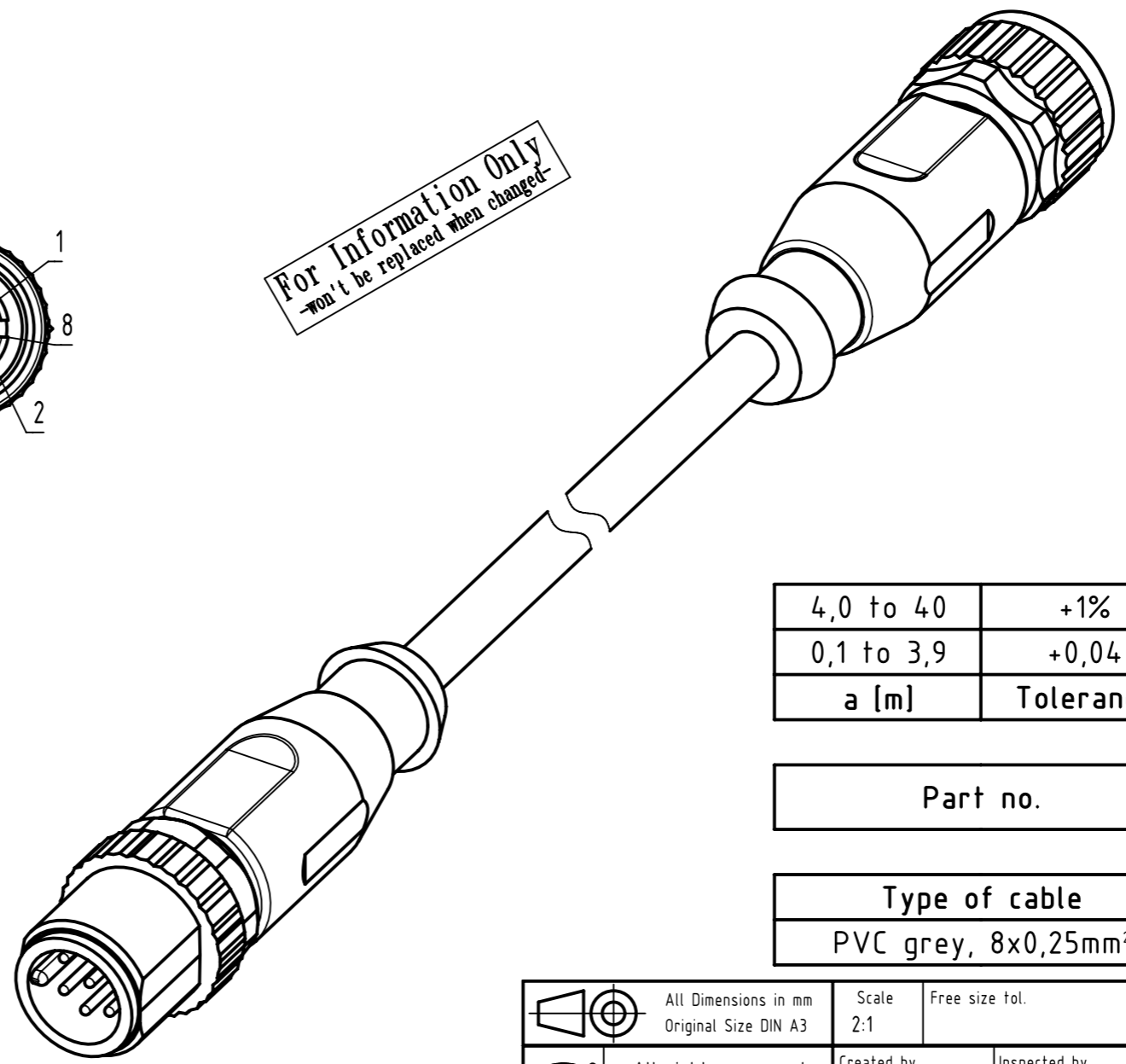


- Loading-Plan:**
- 1 white
 - 2 brown
 - 3 green
 - 4 yellow
 - 5 grey
 - 6 pink
 - 7 blue
 - 8 red



*For Information Only
-won't be replaced when changed-*



- Protection level: IP67
- Temperature range: -25°C ... +80°C

length in "1m" step	40	XXX=400
	39	XXX=390
	.	.
	12	XXX=120
	11	XXX=110
length in "0,1m" step	10	XXX=100
	9,9	XXX=099
	9,8	XXX=098
	.	.
	0,4	XXX=004
	0,3	XXX=003
Step	0,2	XXX=002
	0,1	XXX=001
	a [m]	XXX

4,0 to 40	+1%
0,1 to 3,9	+0,04
a [m]	Tolerance

Part no.	213484858XXXX
----------	---------------

Type of cable	XX
PVC grey, 8x0,25mm ²	XX=82

	All rights reserved		Created by TOMUTA		Inspected by		Standardisation		Date 2014-05-23		State Checked Out	
	Department EC PD - RO		Title M12 A-coded Cable Assembly		Doc-Key / ECM-Nr. 100578827/UGD/009/A		Type TB		Number 213484858XXXX		Rev. A	
HARTING Electronics GmbH		D-32339 Espelkamp		Page 1/1								