



25A VARIABLE PHASE ANGLE REGULATOR

AVR
X10208

INTRODUCTION

This fully-variable, powerful, phase-angle regulator is a manually controlled, robust, compact, enclosed unit for direct or transformer-coupled, single-phase loads. The high current triac, fuse terminals and all main parts are enclosed and mounted on an integral heatsink to ensure long life with reliable high ambient temperature operation. The large triac enables the unit to handle high in-rush currents with ample safety margin on industrial installations.

APPLICATIONS

Suitable for conventional, resistive-heating elements including: ovens, moulders, dryers and some inductive loads e.g. transformers and motors.

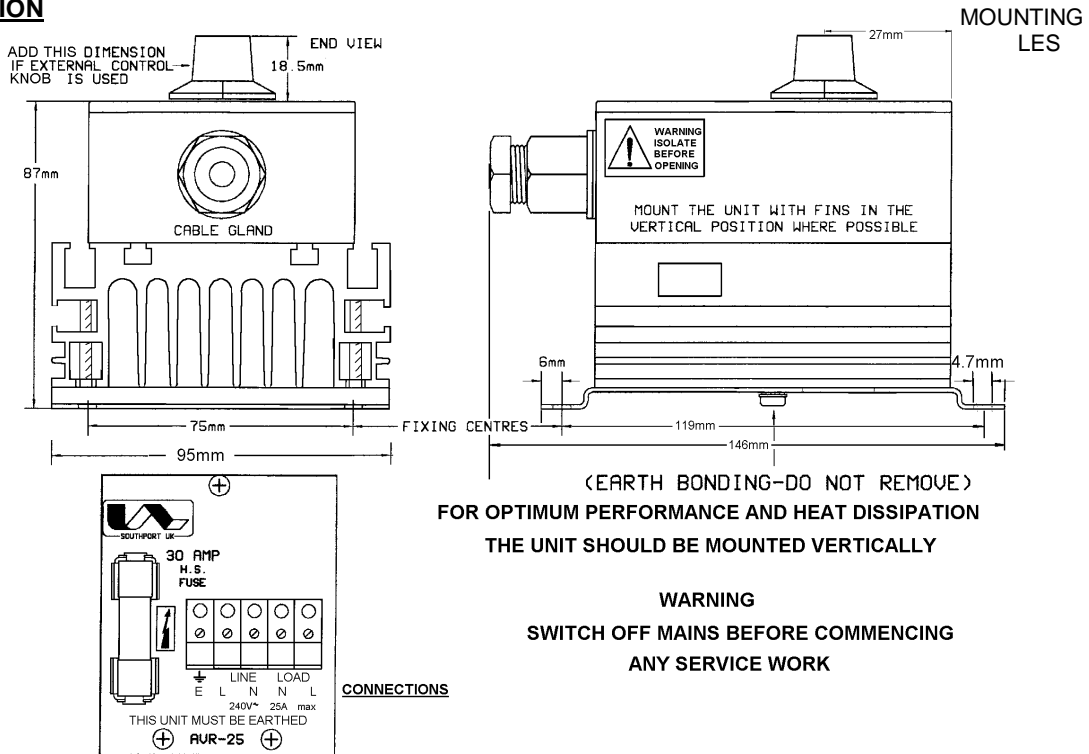
RoHS Compliant

FEATURES

- Integrated high-speed fuse.
- Built-in heatsink.
- High in-rush capability.
- Single-entry cable gland.
- Control knob and dial



INSTALLATION



SPECIFICATIONS:

Mains voltage	110 or 230V ac \pm 10% @ 50/60Hz	Isolation Classification	Class II
		Isolation voltage	2500V rms
Min. load current	200mA	I ² t for SCR fusing	250A ² s
Max. rms current	25A	Offstate dv/dt	500V/ μ s
Main control	220k Ω potentiometer	Replacement Fuse	30A 660V SCR type
Peak one cycle surge	250A	Storage temp.	-20°C to +85°C
Heatsink	1.3°C/W	Max. cable entry	2.5mm ²
Max. operating temp	65°C	Min. level set	0-50% via cermet

FUSING

It is recommended to use semiconductor (fast acting) type fuses or circuit breakers (semiconductor - MCB) for unit protection. Integrated fuse included (see SRA datasheet for further information).

CE MARKING

This product family carries a "CE marking". These phase angle controllers need a suitable remote filter. For information see recommendation section and contact our sales desk (see Declaration of Conformity).

RECOMMENDATION

Other documents available on request, which may be appropriate for your applications.

CODE	IDENTITY	DESCRIPTION
X10229	RFI	Filtering recommendations - addressing the EMC Directive
X10213	ITA	Interaction, uses for phase angle and for burst fire control.
X10255	SRA	Safety requirements - addressing the Low Voltage Directive (LVD) including: - Thermal data/cooling; "Live" parts warning & Earthing requirements; Fusing recommendations.
P01.1	COS	UAL Conditions of sale

NOTE: It is recommended that installation and maintenance of this equipment should be done with reference to the current edition of the I.E.T. (formerly I.E.E.) regulations (BS7671) by suitably qualified/trained personnel. The regulations contain important requirements regarding installation and safety of electrical equipment. Specific installers should refer to local and national regulations

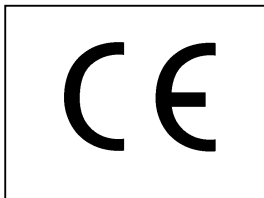
ORDER CODE

State part number: AVR + (Mains supply voltage)

Optional extras include F-series filter.

Note: When ordering a filter, the current the AVR is to be used at will be

required

**UNITED AUTOMATION LIMITED**

Southport Business Park
Wight Moss Way
Southport, PR8 4HQ
ENGLAND

Tel: 0044 (0) 1704 – 516500
Fax: 0044 (0) 1704 – 516501
enquiries@united-automation.com
www.united-automation.com

Page No. 2 of 2

Issue 4

Date 31/07/12

