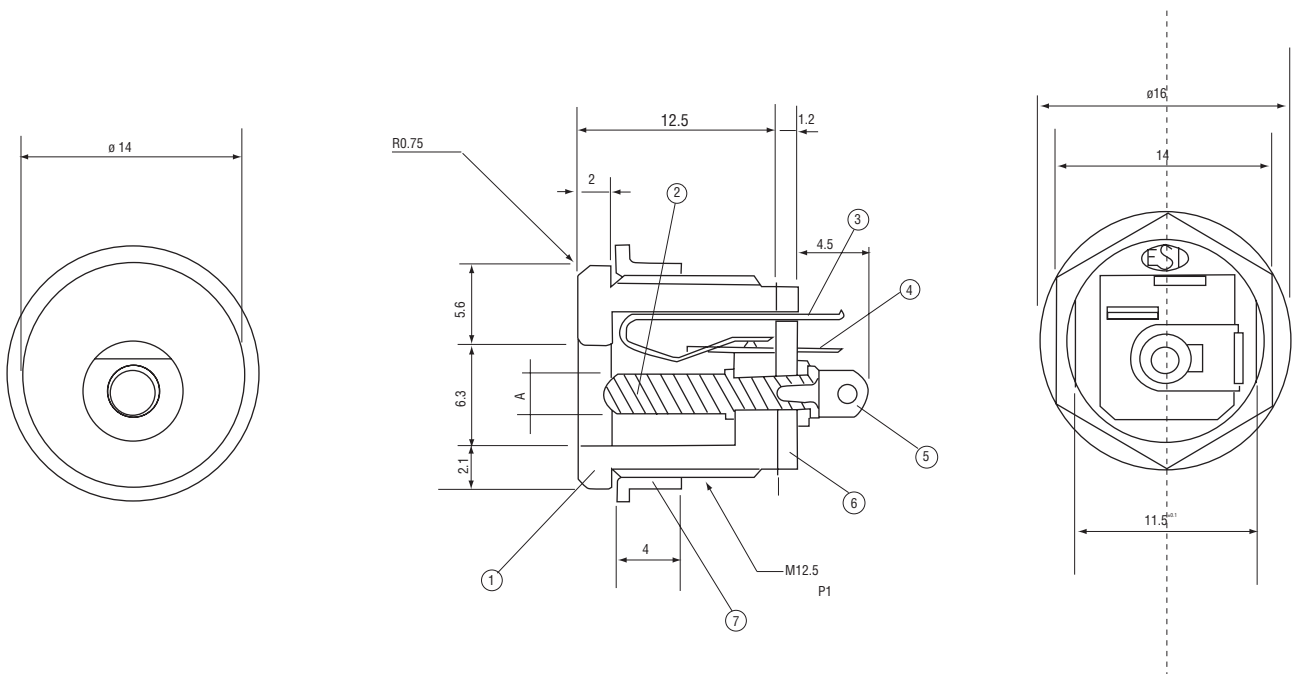


Specifications:

Contact resistance	30 milliohm max.
Insulation resistance	100 megaohm min. @250VDC
Breakdown voltage	250VAC for one minute
Operation temperature	-25° to 70°C
Insertion force	3kgf max.
Withdrawal force	0.3 to 3kgf
Life cycles	5,000 cycles min.
Rating	12VDC 1A



Order code	20-0980	20-0985
A	ø2.0	ø2.35