



Door sealing frame, IP41, fixed mounted design

Part no. IZMX-DEG16-F-1
Article no. 184136
Catalog No. 65A2530G02



Powering Business Worldwide™

Delivery programme

Product range			Accessories
Accessories			Degree of protection IP31
Accessories			Spare door seal
			Replacement door escutcheon with gasket IP31
For use with			IZMX16...F INX16...F
Instructions			Spare part; supplied as standard with every breaker.

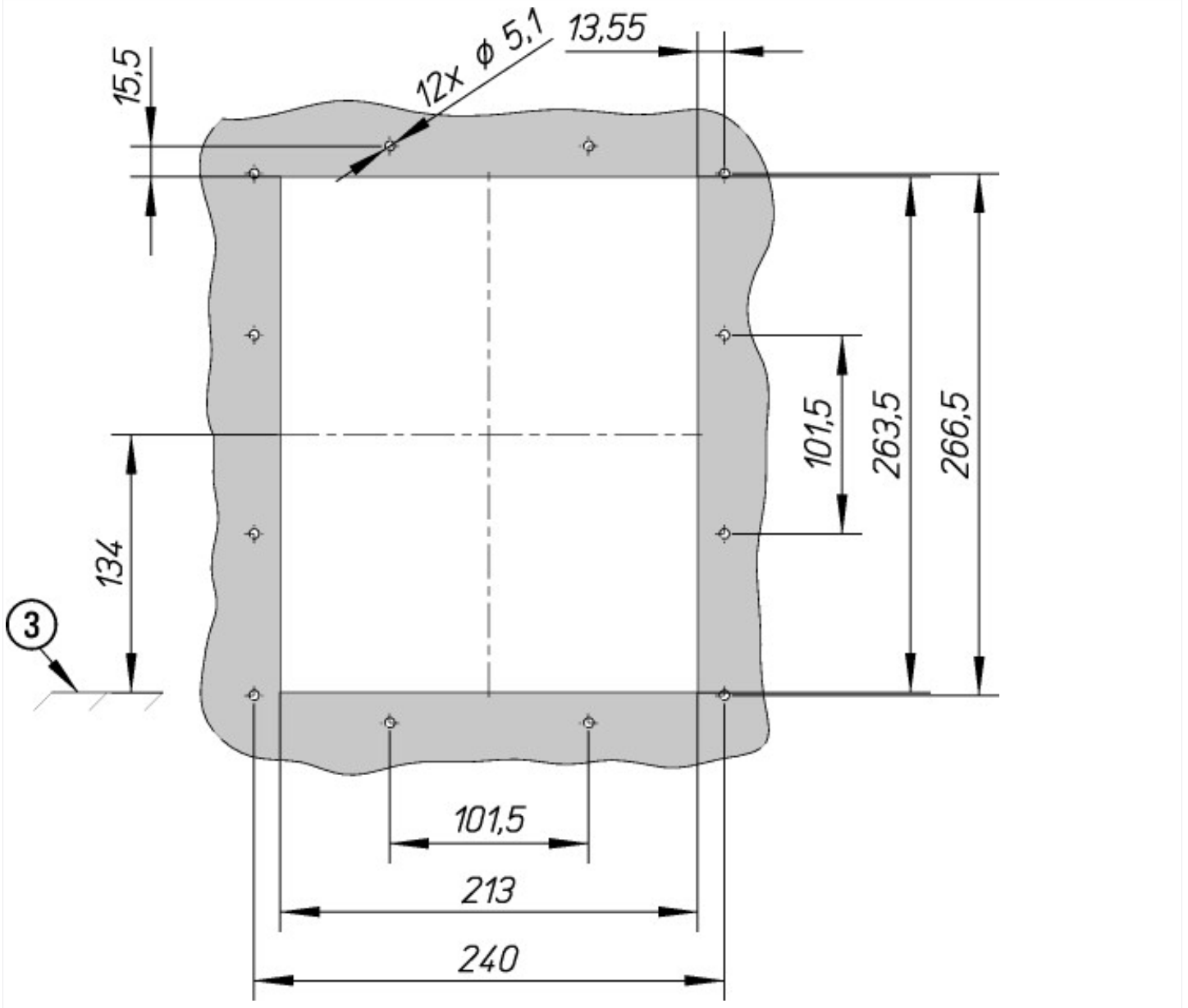
Design verification as per IEC/EN 61439

Technical data for design verification			
Operating ambient temperature min.		°C	-25
Operating ambient temperature max.		°C	70

Technical data ETIM 6.0

Low-voltage industrial components (EG000017) / Accessories for low-voltage switch technology (EC002498)			
Electric engineering, automation, process control engineering / Low-voltage switch technology / Low-voltage switch technology (accessories) / Component for low-voltage switch technology (accessories) (ecl@ss8.1-27-37-92-01 [AKN570010])			
Type of accessory			-

Dimensions



③ Top edge mounting floor of the Circuit Breaker