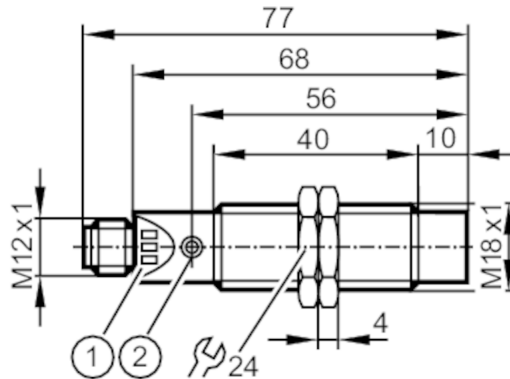


# DI6001



## Compact evaluation unit for speed monitoring

DGA4012-WPKG/US



- 1 LED 3 x
- 2 setting pushbutton




Product characteristics	
Electrical design	PNP
Output function	normally open / normally closed; (parameterisable)
Sensing range [mm]	12
Housing	threaded type
Dimensions [mm]	M18 x 1 / L = 68
Application	
Special feature	Gold-plated contacts
Application	evaluation of rotating and linear movements with regard to underspeed; blocking
Electrical data	
Nominal voltage DC [V]	10...36; (operating voltage "supply class 2" according to cULus)
Current consumption [mA]	< 15
Protection class	II
Reverse polarity protection	yes
Outputs	
Electrical design	PNP
Output function	normally open / normally closed; (parameterisable)
Max. voltage drop switching output DC [V]	2.5
Permanent current rating of switching output DC [mA]	250; (Pulse output: 15)
Short-circuit protection	yes
Type of short-circuit protection	pulsed
Overload protection	yes
Detection zone	
Sensing range [mm]	12
Sensing range adjustable	no

# DI6001



## Compact evaluation unit for speed monitoring

DGA4012-WPKG/US

Measuring/setting range		
Setting range	[Imp/min]	3...6000
Accuracy / deviations		
Correction factor		steel: 1 / stainless steel: 0.8 / brass: 0.5 / aluminium: 0.4 / copper: 0.3
Hysteresis	[% of Sr]	10
Response times		
Start-up delay	[s]	0...15
Max. damping frequency	[Imp/min]	18000
Software / programming		
Adjustment of the switch point		Teach function
Operating conditions		
Ambient temperature	[°C]	-20...80
Protection		IP 67
Tests / approvals		
EMC		EN 60947-5-2
MTTF	[years]	1031
Mechanical data		
Weight	[g]	65.2
Housing		threaded type
Mounting		non-flush mountable
Dimensions	[mm]	M18 x 1 / L = 68
Thread designation		M18 x 1
Materials		stainless steel (1.4571/316Ti ); PBT
Tightening torque	[Nm]	35
Displays / operating elements		
Display	switching status	1 x LED, yellow
	operation	1 x LED, green
Electrical connection		
Connector: 1 x M12; Contacts: gold-plated		
		

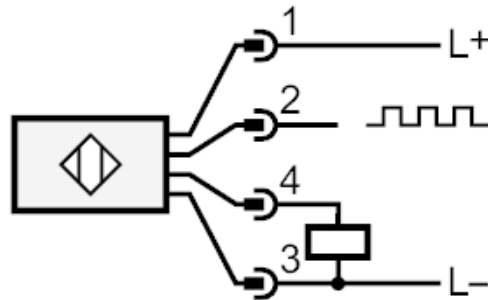
# DI6001



## Compact evaluation unit for speed monitoring

DGA4012-WPKG/US

### Connection



- 2: Pulse output pulse sequence corresponds to damping frequency
- 4: switching output adjustable