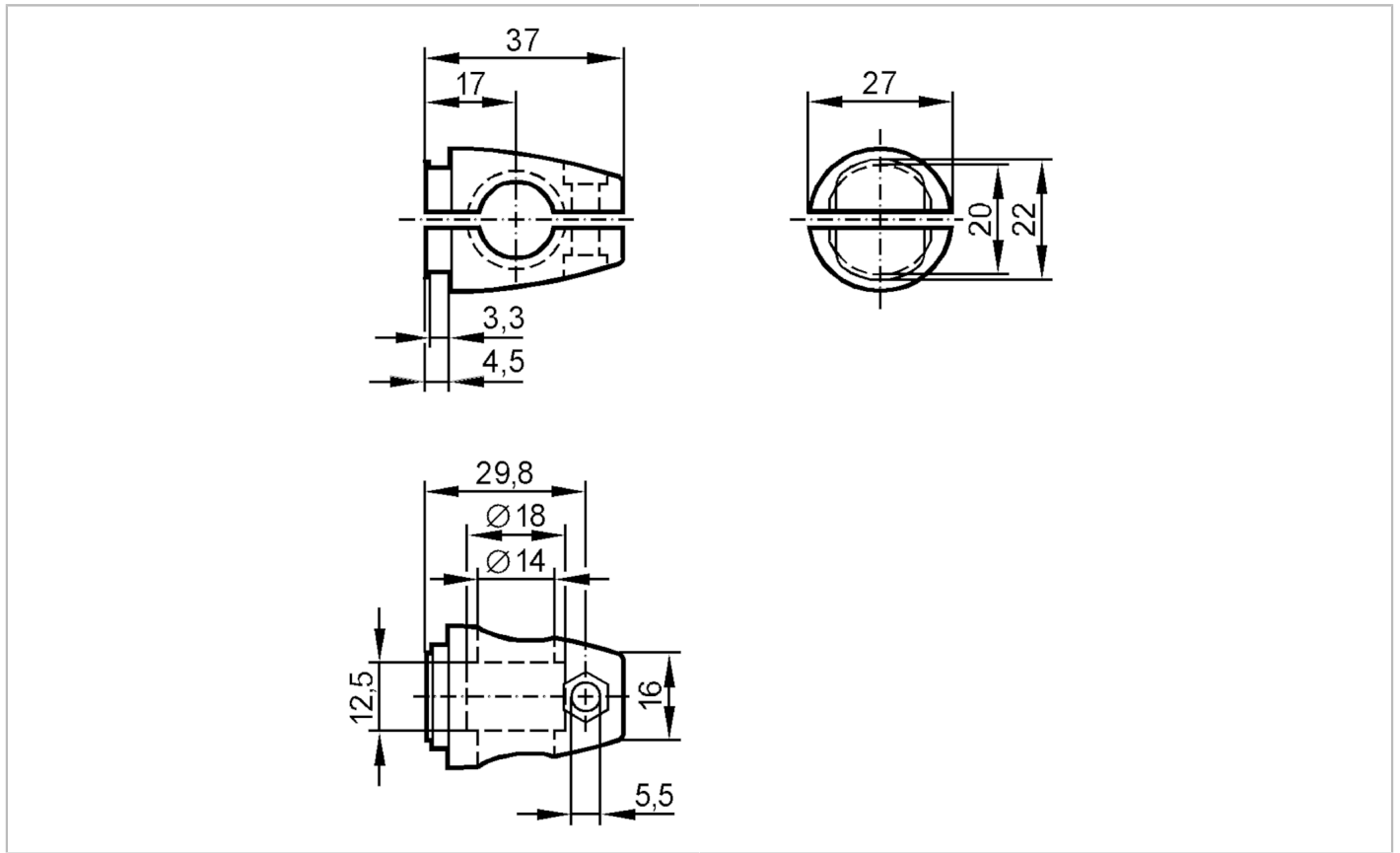


# E20796



## Mounting set for position sensors

CLAMP M12 FREESTANDING



### Mechanical data

Weight	[g]	246
Type of mounting		free-standing; (M12)
Dimensions	[mm]	M12
Thread designation		M12
Materials		Clamp: diecast zinc

### Accessories

Accessories (supplied)		screw: 1 x M12 x 120
------------------------	--	----------------------

### Remarks

Pack quantity		1 pcs.
---------------	--	--------