

# E30405

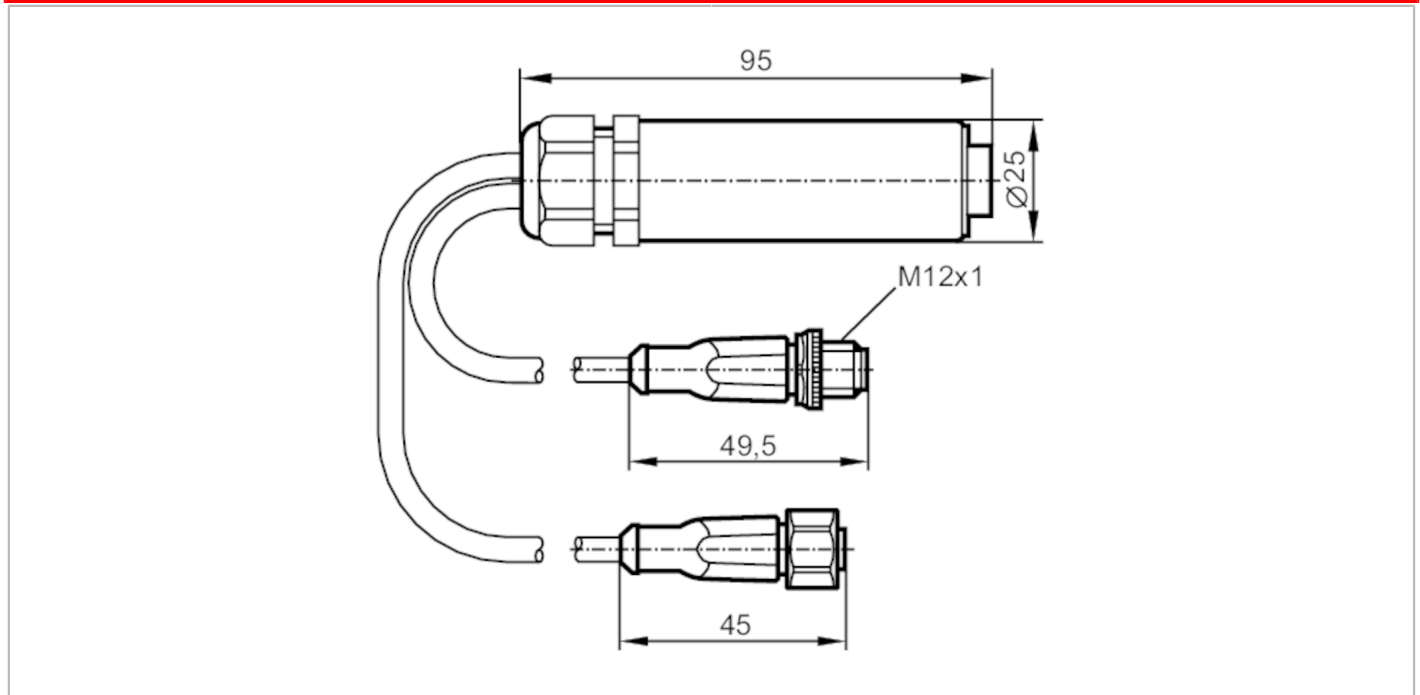


## Teach button for pressure sensors

TEACH BUTTON

discontinued article

replaced by: PP2001



CE

Application	
Design	for sensors PP0xE, PP052x, PP755x, for memory plug E30398
Electrical data	
Operating voltage [V]	10...30 DC
Operating conditions	
Protection	IP 40
Mechanical data	
Weight [g]	220.5
Materials	stainless steel (1.4305 / 303); PA; PMMA
Remarks	
Notes	discontinued article
Pack quantity	1 pcs.

# E30405



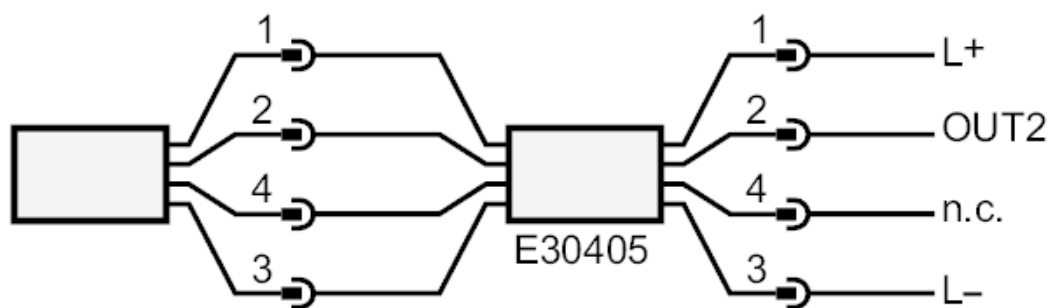
## Teach button for pressure sensors

TEACH BUTTON

### Electrical connection

Cable: 0.9 m, PUR

### Connection



n.c. = not used

discontinued article

replaced by: PP2001