

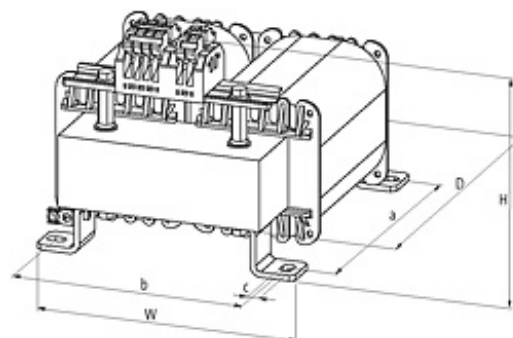
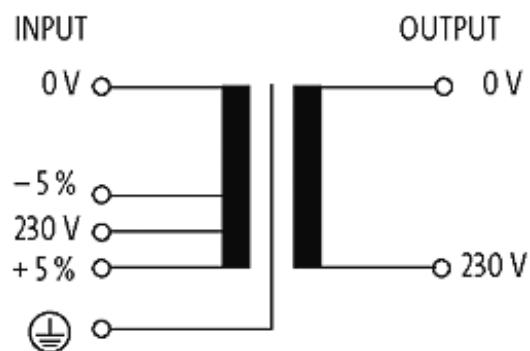
## MET 1-PHASE CONTROL AND ISOLATION TRANSFORMER

P: 4000VA IN: 230VAC+/- 5% OUT: 230VAC

Single-phase - Control and Isolation Transformers  
4000 VA  
Isolation class T 40/B

### [Link to Product](#)

#### Illustration



Product may differ from image

The information in this brochure has been compiled with the utmost care.

Liability for the correctness completeness and topicality of the information is restricted to gross negligence. Version: 05/15

Murrelektronik GmbH | Falkenstraße 3, 71570 Oppenweiler | Fon +49 (71 91) 47-0, Fax +49 (71 91) 47-491000 | [shop@murrelektronik.de](mailto:shop@murrelektronik.de) | [shop.murrelektronik.de](http://shop.murrelektronik.de)

Product may differ from image

### Approvals



### Input

Input voltage	230 V AC $\pm 5\%$
Frequency	50...60 Hz
Short-circuit current	807.5 A (230 V AC)
Input current	18 A (230 V AC)
Inrush current	337 A (230 V AC)

### General data

Standards	(EN 61558-1), (EN 61558-2-4), (EN 62041 category 0)
Test isolation voltage	4 kV (prim./sec.)
Dimensions H x W x D	206x198x250 mm
Fixing centers a x b x c	200x174x9 mm
Drill hole $\varnothing$	9x14 mm
Mounting method	Long-hole mounting
Temperature range	-20...+40 °C, no condensation

### Output

Output voltage	230 V AC
----------------	----------

### Commercial data

country of origin	CZ
customs tariff number	85043200
minimum order quantity	1