

MTS 1-PHASE SAFETY TRANSFORMER

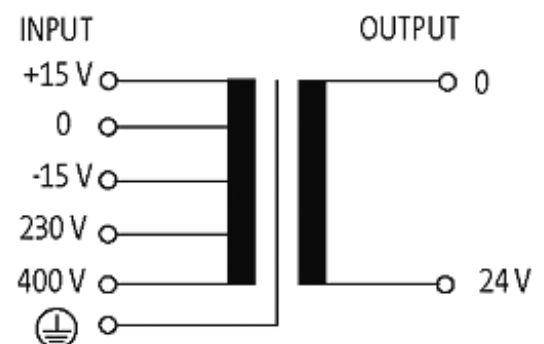
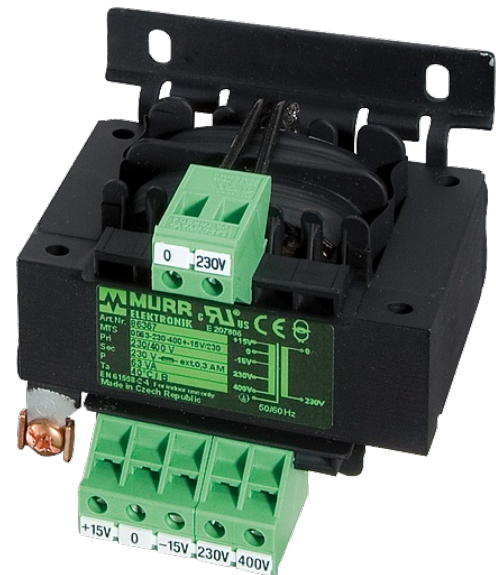
P: 63VA IN: 230/400VAC +/- 15VAC OUT: 24VAC

Single-phase safety transformer
63 VA
Isolation class T 40/B

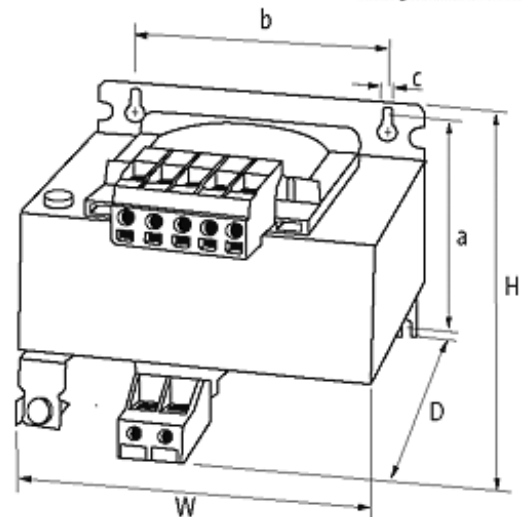
Other voltages on request.

[Link to Product](#)

Illustration



stay connected



Product may differ from Image

Approvals



Input

| | |
|-----------------------|-------------------------------------|
| Input voltage | 230/400 ±15 V AC |
| Frequency | 50...60 Hz |
| Input current | 0.33 A (230 V AC); 0.2 A (400 V AC) |
| Inrush current | 2 A (230 V AC); 1.15 A (400 V AC) |
| Short-circuit current | 2.95 A (230 V AC); 1.7 A (400 V AC) |

General data

| | |
|--------------------------|----------------------------------------------------------|
| Standards | (EN 61558-1), (EN 61558-2-6), (EN 62041 category 0) |
| Test isolation voltage | 4 kV (prim./sec.) |
| Mounting method | Long-hole mounting or DIN-rail mountable TH35 (EN 60715) |
| Temperature range | -20...+40 °C, no condensation |
| Dimensions H × W × D | 79×78×93 mm |
| Fixing centers a × b × c | 56×56×4.8 mm |
| Drill hole Ø | 4.8×8.4 mm |

Output

| | |
|----------------|----------------|
| Output voltage | 24 V AC (SELV) |
|----------------|----------------|

Commercial data

| | |
|------------------------|----------|
| country of origin | CZ |
| customs tariff number | 85043180 |
| minimum order quantity | 1 |