



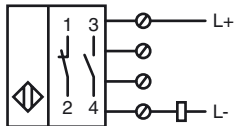
Model Number

NCB40-FP-Z2-P1

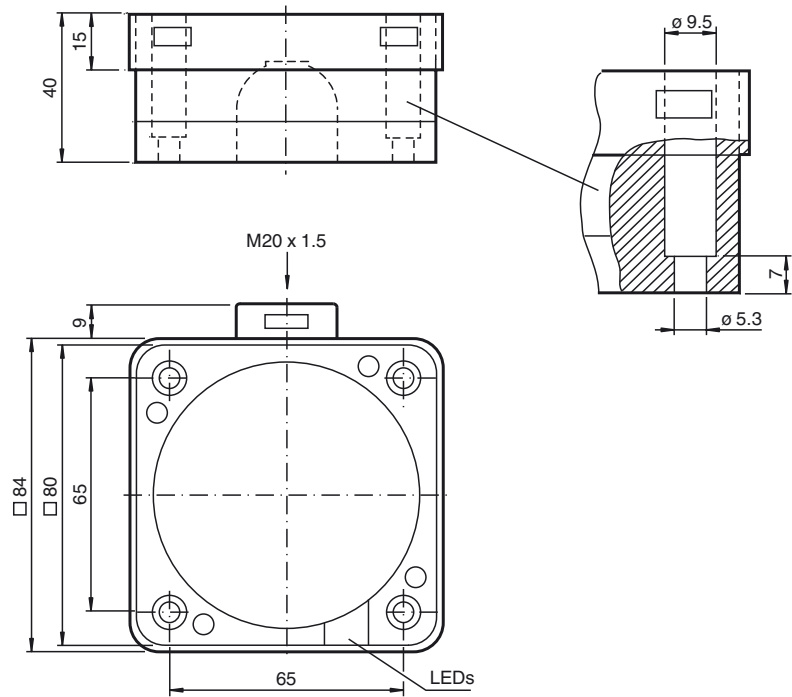
Features

- Comfort series
- 40 mm flush

Connection



Dimensions



Technical Data

General specifications

Switching element function		DC	NO/NC
Rated operating distance	s_n	40 mm	
Installation		flush	
Output polarity		DC	
Assured operating distance	s_a	0 ... 32.4 mm	
Reduction factor r_{AI}		0.35	
Reduction factor r_{Cu}		0.35	
Reduction factor r_{304}		0.8	

Nominal ratings

Operating voltage	U_B	10 ... 60 V
Switching frequency	f	0 ... 50 Hz
Hysteresis	H	0 ... 20 typ. 5 %
Reverse polarity protection		reverse polarity tolerant
Short-circuit protection		pulsing
Voltage drop	U_d	≤ 6 V
Operating current	I_L	2 ... 200 mA
Off-state current	I_r	0.4 ... 1 mA typ. 0.6 mA
Time delay before availability	t_v	≤ 300 ms
Switching state indication		LED, yellow

Ambient conditions

Ambient temperature	-25 ... 70 °C (-13 ... 158 °F)
Storage temperature	-25 ... 85 °C (-13 ... 185 °F)

Mechanical specifications

Connection type	screw terminals
Core cross-section	up to 2.5 mm ²
Housing material	PBT
Sensing face	PBT
Protection degree	IP67

Compliance with standards and directives

Standard conformity	
Standards	EN 60947-5-2:2007 IEC 60947-5-2:2007

Approvals and certificates

UL approval	cULus Listed, General Purpose
CSA approval	cCSAus Listed, General Purpose
CCC approval	Certified by China Compulsory Certification (CCC)

Release date: 2013-04-17 16:12 Date of issue: 2013-04-17 180625_eng.xml