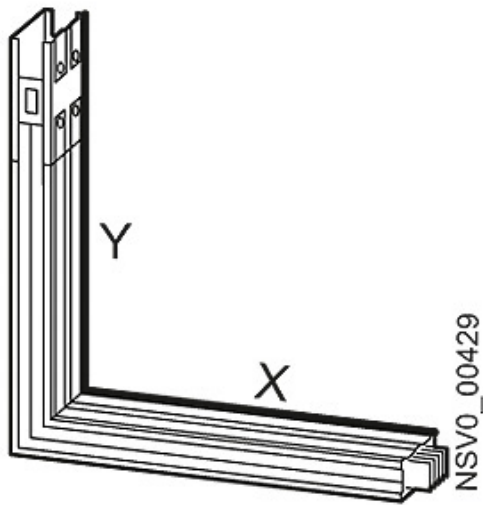


BD2A-1000-LV-X\* KNEE FRONTSIDE X 0,36M-1,25M /  
Y 0,36M 500A-1000A



Model		
Product designation		L unit (junction unit) for BD2 busbar trunking system

Protection class		
Protection class IP		IP52

Main circuit		
<b>Operating frequency / Rated value</b>		
• minimum	Hz	50
• maximum	Hz	60
<b>Operating voltage / with AC</b>		
• at 50 Hz / Rated value / maximum	V	690
• at 60 Hz / Rated value / maximum	V	690
<b>Operating current</b>		
• for circuit 1 / with AC / at 50 Hz / Rated value / maximum	A	1 000
• for circuit 1 / with AC / at 60 Hz / Rated value / maximum	A	1 000

Connections		
Conductor cross section / of the (PE)N	mm <sup>2</sup>	699

Mechanical Design		
Height	mm	1 250
Width	mm	167
Mounting type		ceiling / wall
Material / of the busbar		aluminium



#### Further information

**Information- and Downloadcenter (Catalogs, Brochures,...)**

<http://www.siemens.com/lowvoltage/catalogs>

**Industry Mall (Online ordering system)**

<https://eb.automation.siemens.com/mall/en/WW/Catalog/Product/BVP:261877>

**Service&Support (Manuals, Certificates, Characteristics, FAQs,...)**

<http://support.automation.siemens.com/WW/view/en/BVP:261877/all>

**Image database (product images, 2D dimension drawings, 3D models, device circuit diagrams, ...)**

[http://www.automation.siemens.com/bilddb/cax\\_en.aspx?mfb=BVP:261877](http://www.automation.siemens.com/bilddb/cax_en.aspx?mfb=BVP:261877)

**CAX-Online-Generator**

<http://www.siemens.com/cax>

**Tender specifications**

<http://ausschreibungstexte.siemens.com/tiplv>

last modified:

16.03.2015