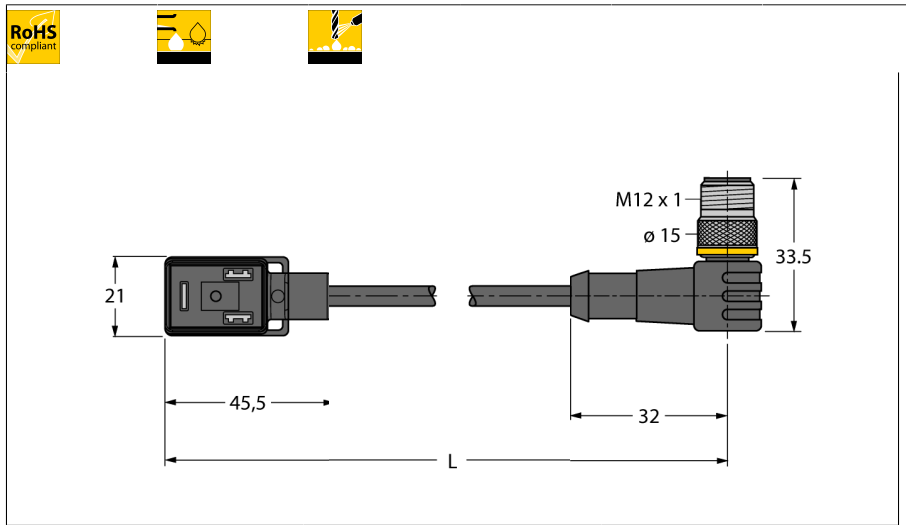


**Valve connector BI type
Extension Cable
VIS02-S80E-2-WSC5.31T/TEL**

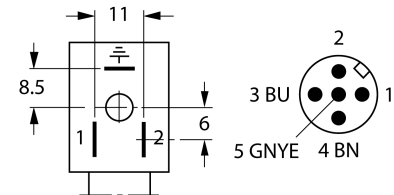


- 2-pin + PE
- Design according to the DIN EN 175301-803
- RoHS conform
- Protection class: IP67 and IP69K
- Protective component: Transil diode
- M12 male, angled, 2-pin + PE
- Sheath material: PVC
- Sheath color: black
- Resistant to chemicals and oils
- Flame retardant
- Resistant to acids and alkaline solutions
- Resistant to microbes and hydrolysis
- LABS-free
- Cable length: 2.0 m

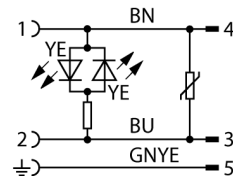
Type designation VIS02-S80E-2-WSC5.31T/TEL
Ident no. 6606870

Connector A side
 Number of pins Valve connector, Design BI
 2+PE
 Contacts Metal, CuSn, Silver-plated
 Contact carriers Plastic, PA, Black
 Grip Plastic, TPU, Black/Translucent
 Protective component Transil diode
 Seal Plastic, TPU
 Protection class IP67, IP69K, (mounted)
 Display switch state LED yellow/yellow
 Mechanical lifespan > 100 Mating cycles
 Pollution degree 3

Pin Assignment



Circuit Diagram



Connector B side
 Number of pins Connector, M12 x 1, Straight
 2+PE pins
 Contacts metal, CuZn, Gold-plated
 Contact carriers Plastic, TPU, Black
 Grip Plastic, TPU, Black
 Coupling nut/screw Brass, CuZn, Nickel-plated
 Protection class IP67, IP69K, Only when screwed tight
 Mechanical lifespan > 100 Mating cycles
 Pollution degree 3
 Tightening torque 0.8 ... 1 Nm

General data
 Cable diameter 5.3 ± 0.20mm
 Cable length 2 m
 Cable quality PVC
 Cable color Black
 Core insulation PVC
 Core colors BN, BU, GNYE
 Core cross-section 3x0.34mm²
 Arrangement of strands 19x0.15 mm

Electrical features at +20 °C
 Current 4 A
 Rated voltage 24 V
 Insulation resistance > 1 MΩ/km
 Test voltage 2000 V
 Forward resistance max. 57 Ω/km

Valve connector BI type
Extension Cable
VIS02-S80E-2-WSC5.31T/TEL

Mechanical and chemical properties

Bending radius (stationary laying)	> 5 x Ø
Bending radius (flexible use)	> 10 x Ø
Ambient temperature	
Stationary	-40...+105°C
In motion	0...+80°C