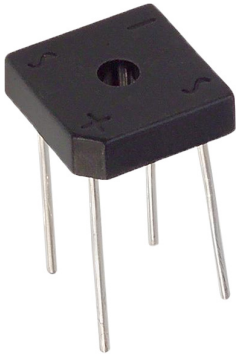


RoHS
Compliant



Applications

General purpose use in AC/DC bridge full wave rectification, for home appliances, office equipment, etc.

Features

- Glass passivated chip
- Low forward voltage drop
- Lead free

Maximum Ratings and Electrical Characteristics

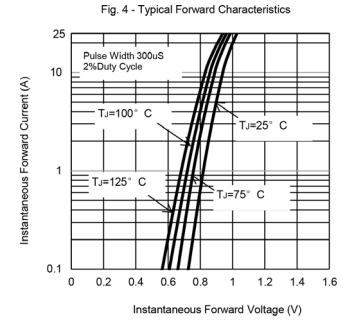
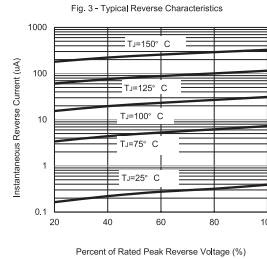
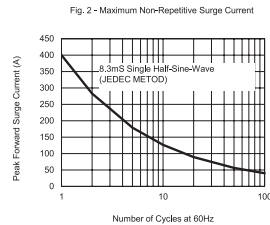
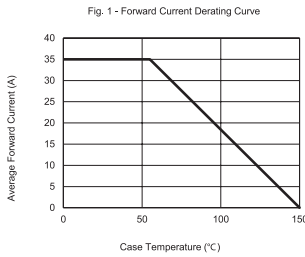
Rating at 25°C ambient temperature unless otherwise specified

Single phase, half wave, 60Hz, resistive or inductive load

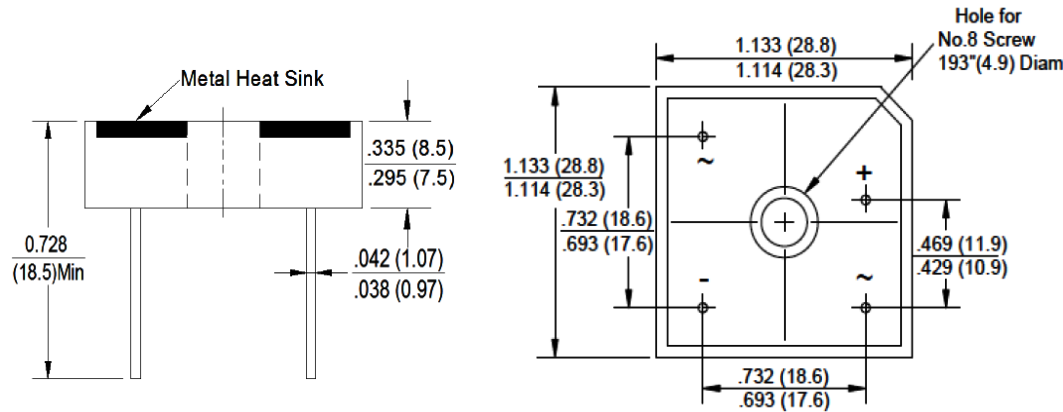
For capacitive load, derate current by 20%

Characteristics	Symbol	GBP-C3502W+	GBP-C3504W+	GBP-C3506W+	GBP-C3508W+	GBP-C3510W+	Unit
Maximum Repetitive Peak Reverse Voltage	VRRM	200	400	600	800	1000	V
Maximum RMS Voltage	VRMS	140	280	420	560	700	V
Maximum Average Forward Rectified Current @ Tc = 55°C	I(AV)	35					A
Peak Forward Surge Current, 8.3mS Single Half Sine-Wave, Superimposed on Rated Load (JEDEC Method)	IFSM	400					
I ² t Rating for Fusing (t<8.3mS)	I ² t	664					A ² s
Peak Forward Voltage per Diode at 12.5A DC	VF	1.1					V
Maximum DC Reverse Current at Rated @TJ=25°C DC Blocking Voltage per Diode @TJ=125°C	IR	5					µA
		500					
Typical Thermal Resistance to case	RθJC	2.2					°C/W
Operating Junction Temperature Range	TJ	-55 to +150					°C
Storage Temperature Range	TSTG						

Rating and Characteristic Curves



Diagram



Part Number Table

Description	Part Number
Glass Passivated Bridge Rectifier, 35A, 200V	GBPC3502W+
Glass Passivated Bridge Rectifier, 35A, 400V	GBPC3504W+
Glass Passivated Bridge Rectifier, 35A, 600V	GBPC3506W+
Glass Passivated Bridge Rectifier, 35A, 800V	GBPC3508W+
Glass Passivated Bridge Rectifier, 35A, 1000V	GBPC3510W+

Dimensions : Inches (Millimetres)

Important Notice : This data sheet and its contents (the "Information") belong to the members of the AVNET group of companies (the "Group") or are licensed to it. No licence is granted for the use of it other than for information purposes in connection with the products to which it relates. No licence of any intellectual property rights is granted. The Information is subject to change without notice and replaces all data sheets previously supplied. The Information supplied is believed to be accurate but the Group assumes no responsibility for its accuracy or completeness, any error in or omission from it or for any use made of it. Users of this data sheet should check for themselves the Information and the suitability of the products for their purpose and not make any assumptions based on information included or omitted. Liability for loss or damage resulting from any reliance on the Information or use of it (including liability resulting from negligence or where the Group was aware of the possibility of such loss or damage arising) is excluded. This will not operate to limit or restrict the Group's liability for death or personal injury resulting from its negligence. Multicomp Pro is the registered trademark of Premier Farnell Limited 2019.