

## Features

- Universal Input 90~264V AC
- Interchangeable Plugtop Adapters
- Approved to CE & RoHS
- Safety standards to IEC/UL/EN 60950-1
- Single Output 12~30V DC
- OVP, OCP, OTP, SCP



Ideal Power's 15DYS650-xyW-K 50W AC/DC External Adapter Interchangeable Power Supply (PSU) Series are certified to CE, RoHS & IEC 60950-1/ UL 60950-1 /EN 60950-1 Standards and comply with (EU) 2019/1782, Level VI Efficiency Regulations. These are primarily used in ITE, Audio & Video Industries and customised solutions are available upon request.

### Models

Model Number	Output Voltage	Output Current	Output Power	Efficiency
15DYS650-120420W-K	12V DC	4.2A	50.4W	88%
15DYS650-300168W-K	30V DC	1.68	50.4W	88%

### Input Data

	Min	Typical	Max	Units	Notes
Input Voltage	90	--	264	V AC	100-240VAC +/- 10%
Input Frequency	47	--	63	Hz	60Hz/50Hz Nominal
Input Current	--	0.5	--	A	at 100-240Vac input & Full load
Inrush Current	--	--	1.3	A	at 100-240Vac input and Max load for a cold start at 25°C
Leakage Current	--	--	0.25	mA	at 264Vac / 50Hz

### Output Data

	Min	Typical	Max	Units	Notes
Output Current Range	0.0	--	4.2	A	Model Dependant
Output Voltage Range	11.4	--	31.5	V	Model Dependant
Ripple & Noise	150	--	300	mVpp	Model Dependant
Over Current Protection	Will recover if fault condition is removed				
Short Circuit Protection	Will recover if fault condition is removed				
Over Voltage Protection	Will recover if fault condition is removed				

**Environmental Data**

	Min	Typical	Max	Units	Notes
Operating Temperature	0	--	+45	°C	Model Dependant
Storage Temperature	-20	--	+80	°C	
Operating Humidity	10	--	90	%	non condensing
Relative Humidity	5	--	95	%	non condensing

**Other Information**

	Notes
Dielectric Strength	Primary to Secondary: 4242VDC / 5mA <sub>Max</sub> / 60second(3 seconds for mass production)
MTBF	50,000 hrs at 25°C
Dimensions	82.2x52x35mm
Output Cord	12V-18AWG/30V-20AWG UL2468,1.2M Black
Output Connector	Output Connector: Lead O/P~OD: 2.1mm, ID: 5.5m,Length:12.0mm (H).

**Safety Approvals**

	Safety Standards
Safety Standards	IEC/UL/EN 60950
Approvals	CE, RoHS

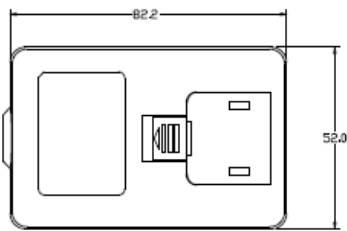
**EMI Standards**

	Test Level
EMI	EN 55032 / FCC Part 15 Class B / AS/NZS CISPR22

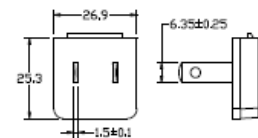
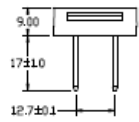
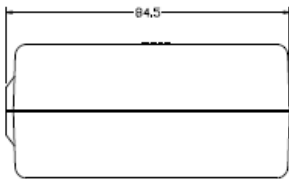
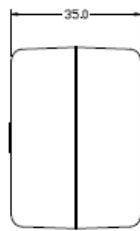
**EMS Standards**

	Test Level	Test Criteria
EMS	EN 55024	
ESD	IEC 61000-4-2, Air discharge +/-8KV, Contact discharge +/-4KV	Pass B
EFT	IEC 61000-4-4, AC-Input 0.5KV/1KV	Pass A/B
Surge Voltage	IEC 61000-4-5 Differential mode +/-1KV. Common mode +/-2KV	Pass A

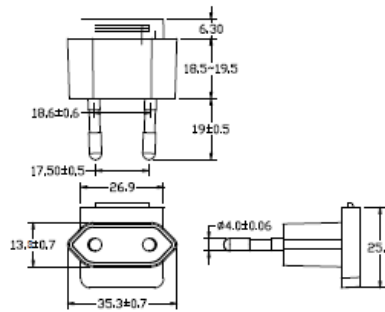
**Mechanical Drawing**



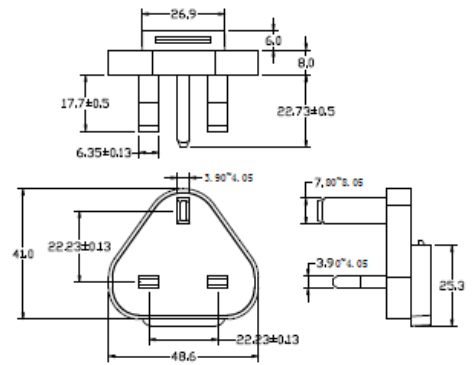
**CASE**



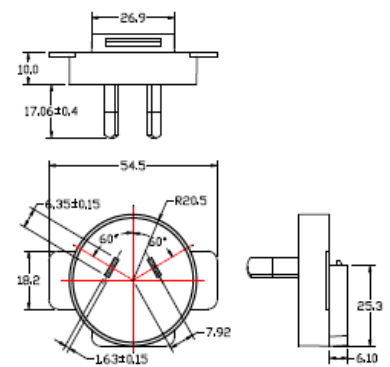
**US PIN**



**EU PIN**



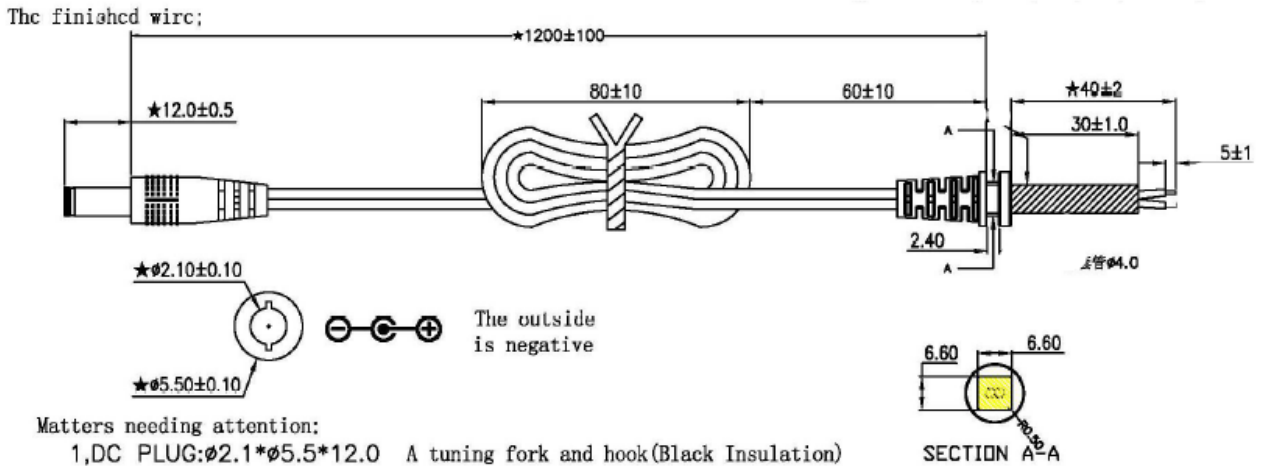
**UK PIN**



**AU PIN**

AC – DC

**Cord Drawing**



**Matters needing attention:**

- 1, DC PLUG:  $\phi$ 2.1\* $\phi$ 5.5\*12.0 A tuning fork and hook (Black Insulation)
- 2, SR SIZE: 6.6\*6.6\*2.4

**Label**

**IP IDEALPOWER** SWITCHING MODE POWER SUPPLY 0318  
電源供應器/电源适配器 EFFICIENCY LEVEL: (VI)

P/N/編號/编号: DYS650-300168-17315F  
MODEL/型號/型号: DYS650-300168W-K **DYS**

INPUT/輸入/输入: 100-240V- 50/60Hz 1.3A MAX

OUTPUT/輸出/输出: 30.0V = 1.68A  $\diamond$ - $\ominus$ - $\oplus$

**CE**

**S&E** **FCC**

东莞市东硕电子有限公司 **MADE IN CHINA/中國製造/中国制造**

AC - DC