

Line laser, red, 635 nm, 90 °, 0.9 mW

LI635-0.9-3(8x26)
Order Number: 70103830

Main Parameters (*)	min	typ	max	Unit
Wavelength		635		nm
Optical Output Power		0.9		mW
Operating Voltage	2.7	3	3.3	V DC
Operating Current	20	40	60	mA
Operating Temperature	-20		50	°C
Storage Temperature	-40		80	°C

Main Data

Warranty	1 years
----------	---------

Technical Parameters

Lifetime	> 5,000 h
RoHS	yes

Optical Parameters

Beam Shape	Line
Laser Class	1
Divergence	1 - 1.5 mrad
Fan Angle	90 °
Line Thickness	<1mm@1m
Operating Distance	1 m
Optics	glass lens AR coated
Laser technology	Single Mode Diode
Focus	fixed (1000mm)

Electrical Parameters

Potential of Housing	isolated
Power Supply	LFNT-3

Mechanical Parameters

Size	Ø8x26 mm
Material	aluminium
Cable length	100 mm
Wire type	26AWG, 0,14mm ²
Output Aperture	3 mm
Housing Color	black
Weight	3.2 g
Stripping of wire	5 mm

(*) Over the complete operating temperature range

Features



- Laser Class 1
- For medical devices
- Operating Voltage 3 V DC
- Fan angle 90 °
- Fixed focus

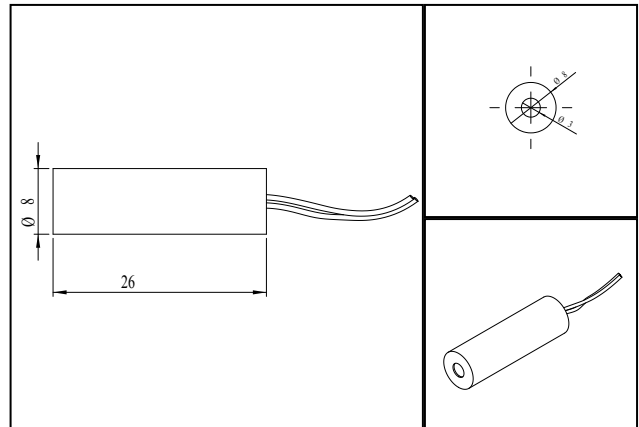
Picture



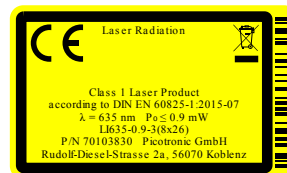
Cable color

Ground		blue	GND
positive		red	2.7 - 3.3, typ 3 V DC

Drawing



Safety Label



Valid Revision

2 | 29-JAN-2016