

## Specifications

Insulation Resistance: 1,000MΩ min. at 500 V DC  
 Withstanding Voltage: 500 V AC rms for 1 minute  
 Contact Resistance: 15mΩ max. at 10mA  
 Current Rating: 1A  
 Operating Temp. Range: -20°C to +85°C

## Materials and Finish

Housing: PBT (glass filled), UL 94V-0 rated  
 Contacts: Phosphor Bronze  
 Plating: Gold or Solder over Nickel

## Features

- ◇ Contact pitch 1.27mm connectors for high-density mounting
- ◇ Approx. 40% saved for mounting area to 2.54mm pitch connectors (64 leads)
- ◇ Variations include cable connection and board-to-board connection types

## Part Number (Details)

**NFP - 64A - 01 \* 2 \*\***

Series (plug)

No. of Leads

Latch Type:

1 = Short Latch

2 = Long Latch

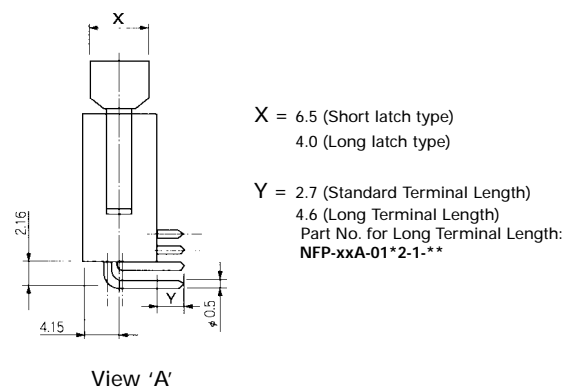
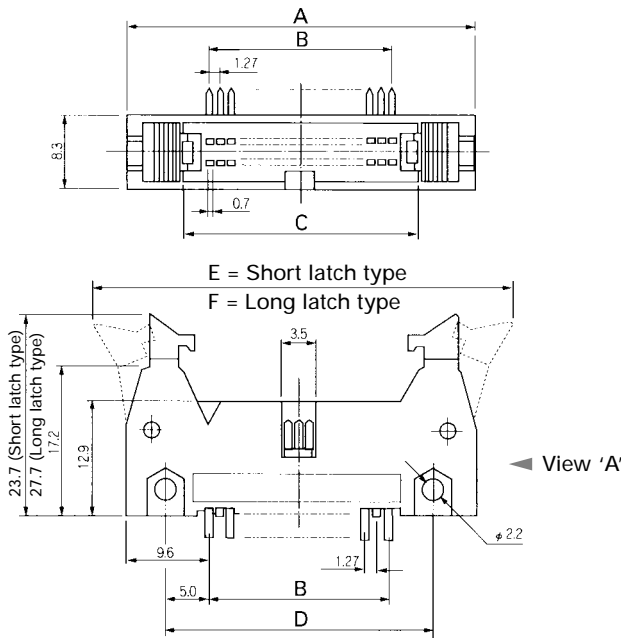
Terminal Type:

2 = Right Angle Solder Dip

Type of Plating:

	Base	Mating Face	Solder Terminals
AS	Ni 2.5-4.5μm	Au 0.76μm min.	SnPb 2.0-4.0μm
BS	Ni 2.5-4.5μm	Au 0.3μm min.	SnPb 2.0-4.0μm
AF	Ni 2.5-4.5μm	Au 0.76μm min.	Au 0.05μm min.
BF	Ni 2.5-4.5μm	Au 0.3μm min.	Au 0.05μm min.

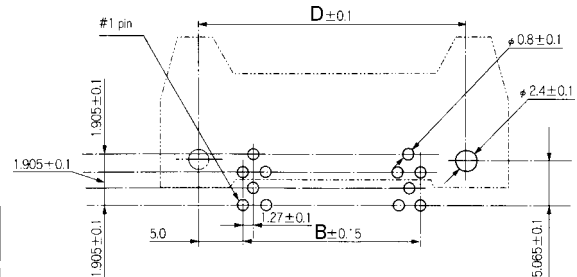
## Applicable Dimensions (Reference Only)



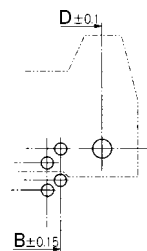
## Recommended PCB Layout

Top View

For leads 10, 26, 34 and 50



For all other leads



Part Number	No. of Leads	A	B	C	D	E	F
NFP-10A-01*2**	10	24.28	5.08	11.58	15.08	38.2	40.2
NFP-16A-01*2**	16	28.09	8.89	15.39	18.89	42.0	44.0
NFP-20A-01*2**	20	30.63	11.43	17.93	21.43	44.6	46.6
NFP-26A-01*2**	26	34.44	15.24	21.74	25.24	48.4	50.4
NFP-34A-01*2**	34	39.52	20.32	26.82	30.32	53.5	55.5
NFP-40A-01*2**	40	43.33	24.12	30.63	34.13	57.3	59.3
NFP-50A-01*2**	50	49.68	30.48	36.98	40.48	63.6	65.6
NFP-60A-01*2**	60	56.03	36.83	43.33	46.83	70.0	72.0
NFP-64A-01*2**	64	58.57	39.37	45.87	49.37	72.5	74.5
NFP-80A-01*2**	80	68.73	49.53	56.03	59.53	82.7	84.7
NFP-100A-01*2**	100	81.43	62.23	68.73	72.23	95.4	97.4