

HARTING



Han-INOX

Stainless Steel Hoods and Housings



Features

- Stainless steel hoods and housings
- Stainless steel locking elements
- Resistant against aggressive detergents
- Fields of application
 - Food and beverage industry
 - Water and sewage industry
 - Pharmaceutical industry
 - Chemical industry
 - Offshore and shipbuilding

Technical characteristics

Material	stainless steel
Sealing	NBR
Limiting temperatures	-40 °C ... +125 °C
Protection degree in locked position	IP 65
Locking lever	stainless steel

General Informatoin

Fields of application

HARTING Industrial Connectors are applicable in a wide variety of electronic and electrical applications.

The degree of protection of all hoods and housings is in accordance with International Standard IEC 60 529.

- | | |
|-------------------------|----------------------|
| • Power Utilities | • Industrial |
| • Robotics | • Instrumentation |
| • Chemical Plants | • Conveyor Equipment |
| • Machine Tool Controls | • Transportation |
| • Injection Moulding | • and many more. |

Specifications

VDE 0110 table concerning clearance and creepage distances
VDE 0627 Connectors and plug devices

Standards: DIN EN 175 301 - 801
DIN EN 61 984

Approvals
UL, CSA for inserts

Note
Connectors should not be coupled and decoupled under electrical load. Connectors of the same or different series being mounted side by side may be protected against incorrect mating by the use of coding options.

General information


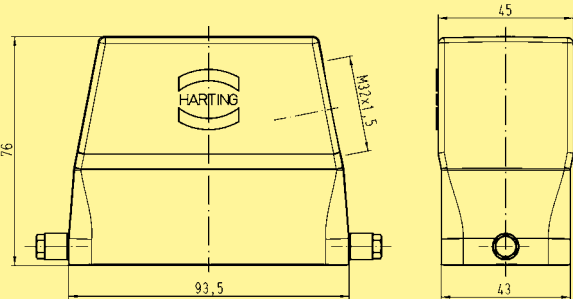

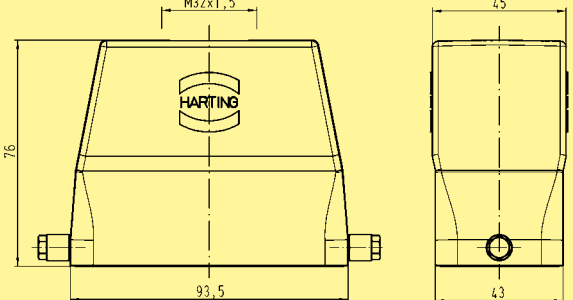

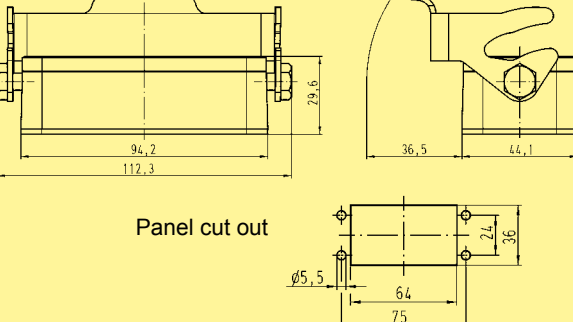
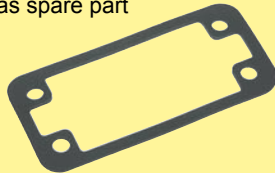


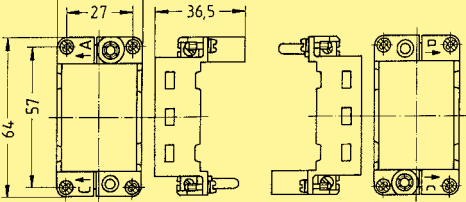
It is the user's responsibility to check whether the components illustrated in this catalogue comply with different regulations from those stated in special fields of application which we are unable to foresee.

We reserve the right to modify designs in order to improve quality, keep pace with technological advancement or meet particular requirements in production.

No part of this catalogue may be reproduced in any form (print, photocopy, microfilm or any other process) or processed, duplicated or distributed by means of electronic systems without the prior written consent of HARTING Electric GmbH & Co. KG, Espelkamp. We are bound by the German version only.

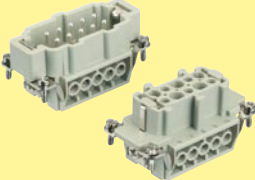




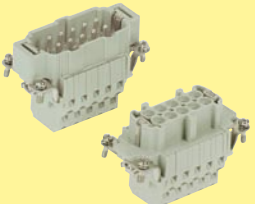

Certified according to EN ISO 9001 in design/development, production, installation and servicing

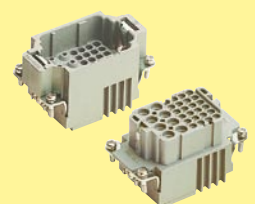


Identification	Part-Number	M	Drawing	Dimensions in mm
<p>Hood side entry</p> 	<p>19 44 310 0547</p>	<p>32</p>		
<p>Hood top entry</p> 	<p>19 44 310 0447</p>	<p>32</p>		
<p>Bulkhead mounted housing with 1 metal locking lever</p> 	<p>19 44 310 0305</p>	<p>—</p>		
<p>Gasket as spare part</p> 	<p>19 44 000 9902</p>	<p>—</p>		
<p>Han-Modular® frames size 10 B</p>  <p>marking A..C marking a..c inserts see page 5</p>	<p>09 14 010 0303 09 14 010 0313</p>	<p>—</p>		

Inserts size 10 B



Series	Han E®	Han E®	Han® ES
Number of contacts	10 + ⚡	10 + ⚡	10 + ⚡
Termination	Screw terminal with wire protection	Crimp terminal	Cage clamp terminal
Electrical data accd. to DIN EN 61 984			
UL/CSA 600 V			
Current / voltage	16 A / 500 V	16 A / 500 V	16 A / 500 V
Wire gauge	1 - 2.5 mm ²	0.5 - 4 mm ²	0.14 - 2.5 mm ²
Male insert (M)	09 33 010 2601	09 33 010 2602	09 33 010 2616
Female insert (F)	09 33 010 2701	09 33 010 2702	09 33 010 2716



Series	Han® ESS	Han® EE	Han DD®
Number of contacts	10 + ⚡	18 + ⚡	42 + ⚡
Termination	Cage clamp terminal	Crimp terminal	Crimp terminal
Electrical data accd. to DIN EN 61 984			
UL/CSA 600 V			
Current / voltage	16 A / 500 V	16 A / 500 V	10 A / 250 V
Wire gauge	0.14 - 2.5 mm ²	0.14 - 4 mm ²	0.14 - 2.5 mm ²
Male insert (M)	09 33 010 2672	09 32 018 3001	09 16 042 3001
Female insert (F)	09 33 010 2772	09 32 018 3101	09 16 042 3101





Series	Han-Com®	Han® HvES	Han Hv E®
Number of contacts	8/24 + ⚡	3 + ⚡ +2 add. contacts for safe high voltage conn.	3 + ⚡ +2 add. contacts for safe high voltage conn.
Termination	Crimp terminal	Cage clamp terminal	Crimp terminal
Electrical data accd. to DIN EN 61 984			
UL/CSA 600 V Relay contact 250 V			
Current	16 A / 10 A	16 A	16 A
Voltage	230/400 V / 160 V	830 V	830 V
Wire gauge	0.5-4 mm ² / 0.14 -2.5 mm ²	0.14 -2.5 mm ²	0.14 -4.0 mm ²
Male insert (M)	09 38 032 3001	09 34 003 2616	09 34 003 2602
Female insert (F)	09 38 032 3101	09 34 003 2716	09 34 003 2702


Identification	Han® Axial Screw Module	Han® Axial Screw Module	Han® Axial Screw Module	Han® Axial Screw Module
Number of contacts	1	2	2	3
Termination	Axial screw terminal	Axial screw terminal	Axial screw terminal	Axial screw terminal
Electrical data accd. to DIN EN 61 984				
Current / voltage	200 A / 1000 V	100 A / 1000 V	40 A / 1000 V	40 A / 690 V
Wire gauge	40 - 70 mm ²	16 - 35 mm ²	2.5 - 8 mm ²	6 - 10 mm ²
Male insert (M)	09 14 001 2662	09 14 002 2651	09 14 002 2601	09 14 003 2602
Female insert (F)	09 14 001 2762	09 14 002 2751	09 14 002 2701	09 14 003 2702

Identification	Han® C Module	Han® CC Protected Mod.	Han® E Module	Han® EE Module
Number of contacts	3	4	6	8
Termination	Crimp terminal	Crimp terminal	Crimp terminal	Crimp terminal
Electrical data accd. to DIN EN 61 984				
Current / voltage	40 A / 400/690 V	40 A / 830 V	16 A / 500 V	16 A / 400 V
Wire gauge	1.5 - 6 mm ²	1.5 - 6 mm ²	0.5 - 4 mm ²	0.5 - 4 mm ²
Male insert (M)	09 14 003 3001	09 14 004 3041	09 14 006 3001	09 14 008 3001
Female insert (F)	09 14 003 3101	09 14 004 3141	09 14 006 3101	09 14 008 3101

Identification	Han® E Protected Mod.	Han® EEE Module	Han® HV Module	Han® ES Module
Number of contacts	6	20	2	5
Termination	Axial screw terminal	Axial screw terminal	Axial screw terminal	Cage clamp terminal
Electrical data accd. to DIN EN 61 984				
Current / voltage	16 A / 830 V	16 A / 500 V	16 A / 2900/5000 V	16 A / 400 V
Wire gauge	0.5 - 4 mm ²	0.5 - 4 mm ²	0.5 - 4 mm ²	0.14 - 2.5 mm ²
Male insert (M)	09 14 006 3041	09 14 020 3001	09 14 002 3021	09 14 005 2616
Female insert (F)	09 14 006 3141	09 14 020 3101	09 14 002 3121	09 14 005 2716

Identification	Han® DD Module	Han® DDD Module	Han® High Density Module	Han® D-Sub Module
Number of contacts	12	17	25	9
Termination	Crimp terminal	Crimp terminal	Crimp terminal	Crimp terminal
Electrical data accd. to DIN EN 61 984				
Current / voltage	10 A / 250 V	10 A / 160 V	5 A / 50 V	5 A / 50 V
Wire gauge	0.14 - 2.5 mm ²	0.14 - 2.5 mm ²	0.09 - 0.56 mm ²	0.09 - 0.56 mm ²
Male insert (M)	09 14 012 3001	09 14 017 3001	09 14 025 3001	09 14 009 3001
Female insert (F)	09 14 012 3101	09 14 017 3101	09 14 025 3101	09 14 009 3101

Identification	Han® Dummy Module	Han-Quintax® Module	Han® FireWire Module	Han® USB Module
Number of contacts		2	1	
Electrical data accd. to DIN EN 61 984				
Current / voltage		5/10 A / 50 V		
Wire gauge		1.5 - 6 mm ²		
Male insert (M)	09 14 000 9950	09 14 002 3001	09 14 001 4611	09 14 001 4601
Female insert (F)	09 14 000 9950	09 14 002 3101	09 14 001 4711	09 14 001 4701

Identification	Han® SC Module	Han® Multi Contact Module	Han® Pneumatic Module	Han® Pneumatic Module
Number of contacts	4	4	2	3
				
		Coaxial contacts F.O. contacts accd. to DIN EN 41 626	Tube internal diameter 6 mm	Tube internal diameter 4 mm
Male insert (M)	09 14 004 4701	09 14 004 4501	09 14 002 4501	09 14 003 4501
Female insert (F)	09 14 004 4711	09 14 004 4512	09 14 002 4501	09 14 003 4501

Han-Modular® Contacts

Identification	SC contact	Coaxial contact	Pneumatic contact 6.0	Pneumatic contact 4.0
Male insert (M)	20 10 125 5211	09 14 000 6211	09 14 000 6174	09 14 000 6153
Female insert (F)		09 14 000 6111	09 14 000 6274	09 14 000 6253
With shut off valve			09 14 000 6279	09 14 000 6258

Han-Quintax® Contacts

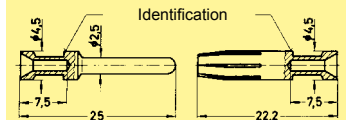
Number of contacts	4	1	8
Identification	Han-Quintax® contact	Han D® Coax contact	Han® High Density Quintax contact
Order crimp contacts separately			
Wire gauge	0.14 - 2.5 mm ²	0.14 - 2.5 mm ²	0.13 - 0.52 mm ²
Male insert (M)	09 15 004 3013	09 15 001 3013	09 15 008 3013
Female insert (F)	09 15 004 3113	09 15 001 3113	09 15 008 3113

Crimp Contacts

Han E® contacts (16 A)
for Han E®, Han EE®, Han®Q, Han-Modular®, Han-Com®, Han-Brid®, Han Hv E®

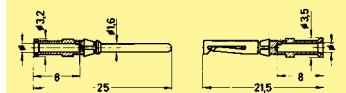
Part-Number		Identifica- tion	Wire gauge	
Male contact	Female contact		mm ²	AWG
09 33 000 6121	09 33 000 6220	no groove	0.5	20
09 33 000 6114	09 33 000 6214	1 groove*	0.75	18
09 33 000 6105	09 33 000 6205	1 groove	1	18
09 33 000 6104	09 33 000 6204	2 grooves	1.5	16
09 33 000 6102	09 33 000 6202	3 grooves	2.5	14
09 33 000 6107	09 33 000 6207	no groove	4	12

* on the back crimp collar



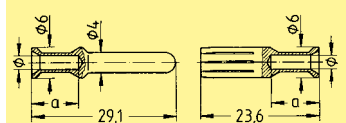
Han D® contacts (10 A)
for Han D®, Han DD®, Han-Modular®, Han-Com®

Part-Number		ø mm	Wire gauge	
Male contact	Female contact		mm ²	AWG
09 15 000 6104	09 15 000 6204	0.8	0.14-0.37	26 - 22
09 15 000 6103	09 15 000 6203	1.1	0.5	20
09 15 000 6105	09 15 000 6205	1.3	0.75	18
09 15 000 6102	09 15 000 6202	1.45	1	18
09 15 000 6101	09 15 000 6201	1.75	1.5	16
09 15 000 6106	09 15 000 6206	2.25	2.5	14



Han C® contacts (40 A)
for Han-Modular®

Part-Number		ø mm	Wire gauge	
Male contact	Female contact		mm ²	AWG
09 32 000 6104	09 32 000 6204	1.75	1.5	16
09 32 000 6105	09 32 000 6205	2.25	2.5	14
09 32 000 6107	09 32 000 6207	2.85	4	12
09 32 000 6108	09 32 000 6208	3.5	6	10



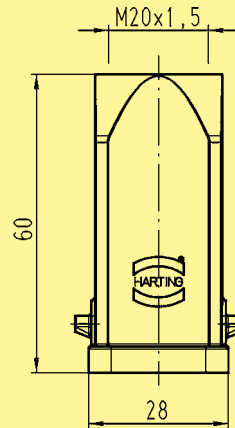
Identification	Part-Number	M	Drawing	Dimensions in mm
----------------	-------------	---	---------	------------------

Hood

top entry
with glued sealing

19 44 003 1440
19 44 003 1443

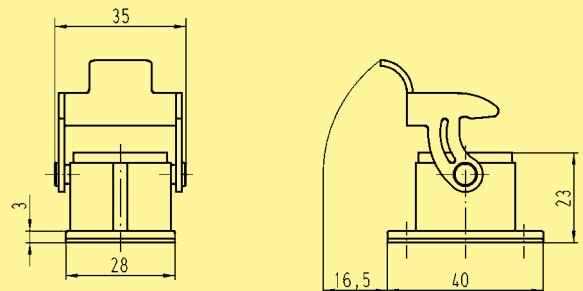
M20
M20



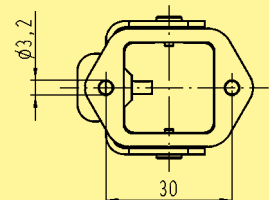
Bulkhead mounted housing
with 1 metal locking lever

19 44 003 0301

—









Panel cut out
22 x 22 mm







Inserts size 3 A






Series	Han-Brid® RJ45 C	Han-Brid® RJ45 C	Han-Brid® RJ45 C
Number of contacts	2/4 + ⚡	2/8 + ⚡	2/8 + ⚡
Identification	HARTING RJ Industrial®	RJ45	RJ45
Electrical data accd. to DIN EN 61 984 Han D® contacts			
Current / voltage Han D® Wire gauge	10 A / 50 V 0.14 - 2.5 mm ²	10 A / 50 V 0.14 - 2.5 mm ²	10 A / 50 V 0.14 - 2.5 mm ²
Male insert (M) Female insert (F)	09 12 003 3011	09 12 003 3021	09 12 003 3031




Series	Han-Brid® RJ45 C	Han-Brid® RJ45 C	Han-Brid® RJ45 C
Number of contacts	2/8	2/8	2/4
Identification	Panel feed through, straight	Panel feed through, angled	Latching part / panel feed through 4-wires
Electrical data accd. to DIN EN 61 984 Han D® contacts			
Current / voltage Han D® Wire gauge	10 A / 50 V 0.14 - 2.5 mm ²	10 A / 50 V 0.14 - 2.5 mm ²	10 A / 50 V 0.14 - 2.5 mm ²
Male insert (M) Female insert (F)	09 12 003 2774	09 12 003 2776	09 12 003 2770

Series	Han-Brid® Cu	Han-Brid® Cu	Han-Brid® Cu	Han-Brid® Cu
Number of contacts	4/2	4/2	4/2	4/2
Identification	Cable side	Device side	Panel feed through with cage clamp terminal	Latching part Panel feed through
Electrical data accd. to DIN EN 61 984				
Current / voltage Wire gauge	10 A / 25 V 0.14 - 2.5 mm ²	10 A / 25 V 0.14 - 2.5 mm ²	10 A / 25 V 0.14 - 2.5 mm ²	10 A / 25 V 0.14 - 2.5 mm ²
Male insert (M) Female insert (F)	09 12 006 3111 09 12 006 3001	09 12 006 2611 09 12 006 2701	09 12 006 2695 09 12 006 2795	09 12 006 2694 09 12 006 2794

Inserts size 3 A



Series	Han® 8 D	Han A®	Han A®
Number of contacts	8	3 + ⊕	4 + ⊕
Termination	Crimp terminal	Screw terminal	Screw terminal
Electrical data accd. to DIN EN 61 984			
UL/CSA 600 V			
Current / voltage	10 A / 50 V	10 A / 230/400 V	10 A / 230/400 V
Wire gauge	0.14 - 2.5 mm ²	0.14 - 2.5 mm ²	0.14 - 2.5 mm ²
Male insert (M)	09 36 008 3001	09 20 003 2611	09 20 004 2611
Female insert (F)	09 36 008 3101	09 20 003 2711	09 20 004 2711

Series	Han® Q	Han® Q	Han® Q
Number of contacts	5 + ⊕	7 + ⊕	2 + ⊕
Termination	Crimp terminal	Crimp terminal	Axial screw terminal
Electrical data accd. to DIN EN 61 984			
UL/CSA 600 V			
Current / voltage	16 A / 230/400 V	10 A / 400 V	40 A / 400 V
Wire gauge	0.14 - 2.5 mm ²	0.14 - 2.5 mm ²	4 - 6 mm ²
Male insert (M)	09 12 005 3001	09 12 007 3001	09 12 002 2652
Female insert (F)	09 12 005 3101	09 12 007 3101	09 12 002 2752

Series	Staf® 6	Staf® 6	Han® 3 A SC
Number of contacts	6	6	4
Termination	Solder terminal	Screw terminal	
Electrical data accd. to DIN EN 61 984			
UL/CSA 50 V			
Current / voltage	10 A / ~25 V/-60 V	10 A / ~25 V/-60 V	
Wire gauge	2.5 mm ²	1.5 mm ²	
Male insert (M)	09 70 006 2812	09 70 006 2813	09 20 004 4711
Female insert (F)	09 70 006 2615	09 70 006 2616	09 20 004 4701

Subsidiary companies – worldwide



Austria

HARTING Ges. m. b. H.
Deutschstraße 3, A-1230 Wien
Phone +43 1/6 16 21 21; Fax +43 1/6 16 21 21-21
E-Mail: at@HARTING.com

Belgium

HARTING N.V./S.A.
Z.3 Doornveld 23, B-1731 Zellik
Phone +32 2/4 66 01 90; Fax +32 2/4 66 78 55
E-Mail: be@HARTING.com; Internet: www.HARTING.be

Brazil

HARTING Ltda.
Av. Dr. Lino de Moraes, Pq. Jabaquara, 255
CEP 04360-001 - São Paulo - SP - Brazil
Phone +55 11/50 35-00 73; Fax +55 11/50 34 - 47 43
E-Mail: br@HARTING.com
Internet: www.HARTING.com.br

China

Zhuhai HARTING; Limited Shanghai branch
Room 5403, 300 Huaihai Zhong Road
Hong Kong New World Tower
Luwan District, P.R.C; Shanghai 200021, China
Phone +86 21 - 63 86 22 00; Fax +86 21 - 63 86 86 36
E-Mail: cn@HARTING.com

Czech Republic

HARTING spol. s.r.o.
Mlýnská 2, 160 00 Praha 6
Phone +420 220 380 460; Fax +420 220 380 461
E-Mail: cz@HARTING.com; Internet: www.HARTING.cz

Finland

HARTING Oy
Teknobulevardi 3-5, PL 35, FI-01530 Vantaa
Phone +358 9 350 87 300; Fax +358 9 350 87 320
E-Mail: fi@HARTING.com

France

HARTING France
181 avenue des Nations, Paris Nord 2
BP 66058 Tremblay en France
F-95972 Roissy Charles de Gaulle Cédex
Phone +33 1 49 38 34 00; Fax +33 1 48 63 23 06
E-Mail: fr@HARTING.com

Germany

HARTING Deutschland GmbH & Co. KG
Postfach 2451 · D-32381 Minden
Simeons carré 1 · D-32427 Minden
Phone (05 71) 88 96 -0; Fax (05 71) 88 96 -2 82
E-Mail: de@HARTING.com
Internet: www.HARTING.com

Office Germany

HARTING Deutschland GmbH & Co. KG
Blankenauer Straße 99; D-09113 Chemnitz
Phone +49 0371 429211; Fax +49 0371 429222
E-Mail: de@HARTING.com

Great Britain

HARTING Ltd.
Caswell Road; Brackmills Industrial Estate
GB-Northampton, NN4 7PW
Phone +44 16 04/76 66 86, 82 75 00
Fax +44 16 04/70 67 77
E-Mail: gb@HARTING.com
Internet: www.HARTING.co.uk

Hong Kong

HARTING (HK) Limited, Regional Office Asia Pacific
4208 Metroplaza Tower 1; 223 Hing Fong Road
Kwai Fong, N. T., Hong Kong
Phone +852/24 23-73 38; Fax +852/24 80-43 78
E-Mail: ap@HARTING.com
Internet: www.HARTING.com.hk

Hungary

HARTING Eastern Europe GmbH
Magyarországi Kereskedelmi Képviselete
1119 Budapest; Fehérvári út 89-95, II. emelet 217/A.
Phone +36-1-205 3464; Fax +36-1-205 3465
E-Mail: hu@HARTING.com; Internet: www.HARTING.hu

India

HARTING India Pvt. Ltd.
D4, Doshi Towers; 156 Poonamallee High Rd.
Kilpauk, Chennai - 600 010, INDIA
Tel. +91 44 43560415; Fax +91 44 4356 0417
pushpendra.singh@HARTING.com; www.HARTING.com

Italy

HARTING SpA
Via Dell' Industria 7; I-20090 Vimodrone (Milano)
Phone +39 02/25 08 01; Fax +39 02/2 65 05 97
E-Mail: it@HARTING.com

Japan

HARTING K. K.
Yusen Shin-Yokohama 1 Chome Bldg., 2F
1-7-9, Shin-Yokohama; Kohoku-ku, Yokohama
222-0033 Japan
Phone +81 45 476 3456; Fax: +81 45 476 3466
E-Mail: jp@HARTING.com
Internet: www.HARTING.co.jp

Korea

HARTING Korea Limited
#308 Leaders Bldg., 342-1, Yatap-dong, Bundang-gu,
Sungnam-City, Kyunggi-do, 463-828, Korea
Phone +82-31-781-4615; Fax +82-31-781-4616
E-Mail: kr@HARTING.com

Netherlands

HARTING B.V.
Larenweg 44; NL-5234 KA 's-Hertogenbosch
Postbus 3526; NL-5203 DM 's-Hertogenbosch
Phone +31 73/641 04 04
Fax +31 73/644 06 99
E-Mail: nl@HARTING.com

Norway

HARTING A/S,
Østensjøveien 36, N-0667 Oslo,
Phone +47 22/70 05 55
Fax +47 22/70 05 70
E-Mail: no@HARTING.com

Poland

HARTING Eastern Europe GmbH
Przedstawicielstwo w Polsce
ul. Kamieńskiego 201-219
51-126 Wrocław
Phone +48 71-352 81 71; Fax +48 71-320 74 44
E-Mail: pl@HARTING.com; Internet: www.HARTING.pl

Portugal

HARTING Iberia, S. A.
Avda. Josep Tarradellas, 20-30, 4º 6ª
E-08029 Barcelona
Phone +351.219.673.177; Fax +351.219.678.457
E-Mail: es@HARTING.com

Russia

HARTING ZAO
ul. Tobolskaja 12, Saint Petersburg 194044 Russia
Phone +7/8 12/3 27 64 77; Fax +7/8 12/3 27 64 78
E-Mail: ru@HARTING.com
Internet: www.HARTING.ru

Singapore

HARTING Singapore Pte Ltd.
No. 1 Coleman Street; #B1-21 The Adelphi
Singapore 179803
Phone +656 225 52 85; Fax +656 225 99 47
E-Mail: sg@HARTING.com

Spain

HARTING Iberia S.A.
Josep Tarradellas 20-30 4º 6ª; E-08029 Barcelona
Phone +34 933 638 475; Fax +34 934 199 585
E-Mail: es@HARTING.com

Sweden

HARTING AB
Gustavslundsvägen 141 B 4tr; 167 51 Bromma
Phone +46 8/4 45 71 71; Fax +46 8/4 45 71 70
E-Mail: se@HARTING.com

Switzerland

HARTING AG
Industriestrasse 26; CH-8604 Volketswil
Phone +41 44 908 20 60; Fax +41 44 908 20 69
E-Mail: ch@HARTING.com

Taiwan

HARTING R.O.C. Limited
Room 1, 5th Floor, No. 495, GuangFu South Road
Taipei, 110 Taiwan
Phone +886-2-2758-61 77
Fax +886-2-2758-71 77
E-Mail: tw@HARTING.com

USA

HARTING Inc. of North America
1370 Bowes Road; Elgin, Illinois 60123
Phone +1 (877) 741-1500 (toll free)
Fax +1 (866) 278-0307 (Inside Sales)
Fax +1 (847) 717-9430 (Sales and Marketing)
E-Mail: us@HARTING.com
Internet: www.HARTING-USA.com

Eastern-Europe

HARTING Eastern Europe GmbH
Bamberger Straße 7; D-01187 Dresden
Phone +49 351 / 4361760
Fax +49 351 / 4361770
E-Mail: Eastern.Europe@HARTING.com

Other countries

HARTING Electric GmbH & Co. KG
P.O. Box 14 73, D-32328 Espelkamp
Phone +49 57 72/47- 97 100
Fax + 49 57 72/47- 4 95
E-Mail: electric@HARTING.com

Distributors – worldwide



Farnell InOne
www.farnellinone.com;
in US: Newark InOne: www.newarkinone.com

RS Components
www.rs-components.com;
in US: Allied Electronics: www.alliedelec.com

Representatives – worldwide



Argentina

Condelectric S.A.
Hipólito Yrigoyen 2591
(B1640HFY) Martínez, Buenos Aires
Phone + Fax +54 11 4836-1053
E-Mail: info@condelectric.com.ar

Bulgaria

COMET ELECTRONICS
16, Tsar Samuil Str., BG-1000 Sofia
Phone +359-2-9155800; Fax +359-2-9540384
E-Mail: office@comet.bg; Internet: www.comet.bg

Canada

Chartwell Electronics Inc.
140 Duffield Drive; Markham; Ontario L6G 1B5
Phone +1 905-513-7100; Fax +1 905-513-7101
Toll Free +1 877-513-7769; www.chartwell.ca

Denmark

Knud Wexøe A/S
Skættekaeret 11, P.O. Box 152; DK-2840 Holte
Phone +45 45 46 58 00; Fax +45 45 46 58 01
E-Mail: wexoe@wexoe.dk
Internet: www.wexoe.dk

Estonia

SKS-tehnika Ou
Mustamäe tee 55, EE-10621 Tallinn
Phone +372 6819 234; Fax +372 6819 235
E-Mail: peeter.kuus@sksf.fi

Finland

SKS-automaatio OY
Martinkyläntie 50, FIN-01721 Vantaa
Phone +358 9 852 6611; Fax +358 9 852 68 20
E-Mail: automaatio@sksf.fi

Hungary

Mile Kft.
Mádi u. 52, H-1104 Budapest
Phone +36-1-431-9800; Fax +36-1-431-9817
E-Mail: milekft@mile-kft.hu
Internet: www.mile-kft.hu

Island

Smith & Norland
Nóatún 4, IS - 105 Reykjavik
Phone +354 520 3000; Fax +354 520 3011
E-Mail: olaf@sminor.is; Internet: www.sminor.is

Israel

MIGVAN
Technologies & Engineering Ltd.
13 Hashiloah St., P.O.Box 7022
IL - Petach Tikva 49170
Phone +972 3 9240784; Fax +972 3 9240787
E-Mail: info@mte.co.il; Internet: www.mte.co.il

Poland

Soyter Sp. z o. o.
ul. Warszawska 3, 05-082 Warszawa - Stare Babice
Phone +48 22 722 0 685; Fax +48 22 722 0 550
E-Mail: handlowy@soyter.com.pl
Internet: www.soyter.com

South-Africa

HellermannTyton Pty Ltd.,
Private Bag X158 Rivonia 2128
34 Milky Way Avenue; Linbro Business Park 2065
Johannesburg, South Africa
Phone +27 (0)11 879-6600; Fax +27 (0)11 879-66 06
E-Mail: sales.jhb@hellermann.co.za

Switzerland

Distrelec AG
Grabenstrasse 6, CH-8606 Nänikon
Phone +41 1 944 99 11; Fax +41 1 944 99 88
E-Mail: info@distrelec.com
Internet: www.distrelec.com

Turkey

Gökhan Elektrik San. Tic. Ltd. Sti.
Perpa Elektrikçiler Is Merkezi A Blok
Kat:7-8-9 No.694; TR - 80270 Okmeydani/Istanbul
Phone +90 (212) 2 21 32 36 (pbx)
Fax +90 (212) 2 21 32 40
E-Mail: gokhan@gokhanelektrik.com
Internet: www.gokhanelektrik.com

Ukraine

Incomtech Ltd.
4 Lermontovskaya St., UA-04050 Kiev
Phone +380-44-213-3641; Fax +380-44-213-3814
E-Mail: eletech@incomtech.com.ua
Internet: www.incomtech.com.ua

Global Business Unit Electric



HARTING Electric GmbH & Co. KG
P.O. Box 1473
D-32328 Espelkamp
Phone +49 57 72/47-97 100
Fax +49 57 72/47-4 95
E-Mail: HARTING.electric@HARTING.com
Internet: www.HARTING.com



People | Power | Partnership

www.HARTING.com