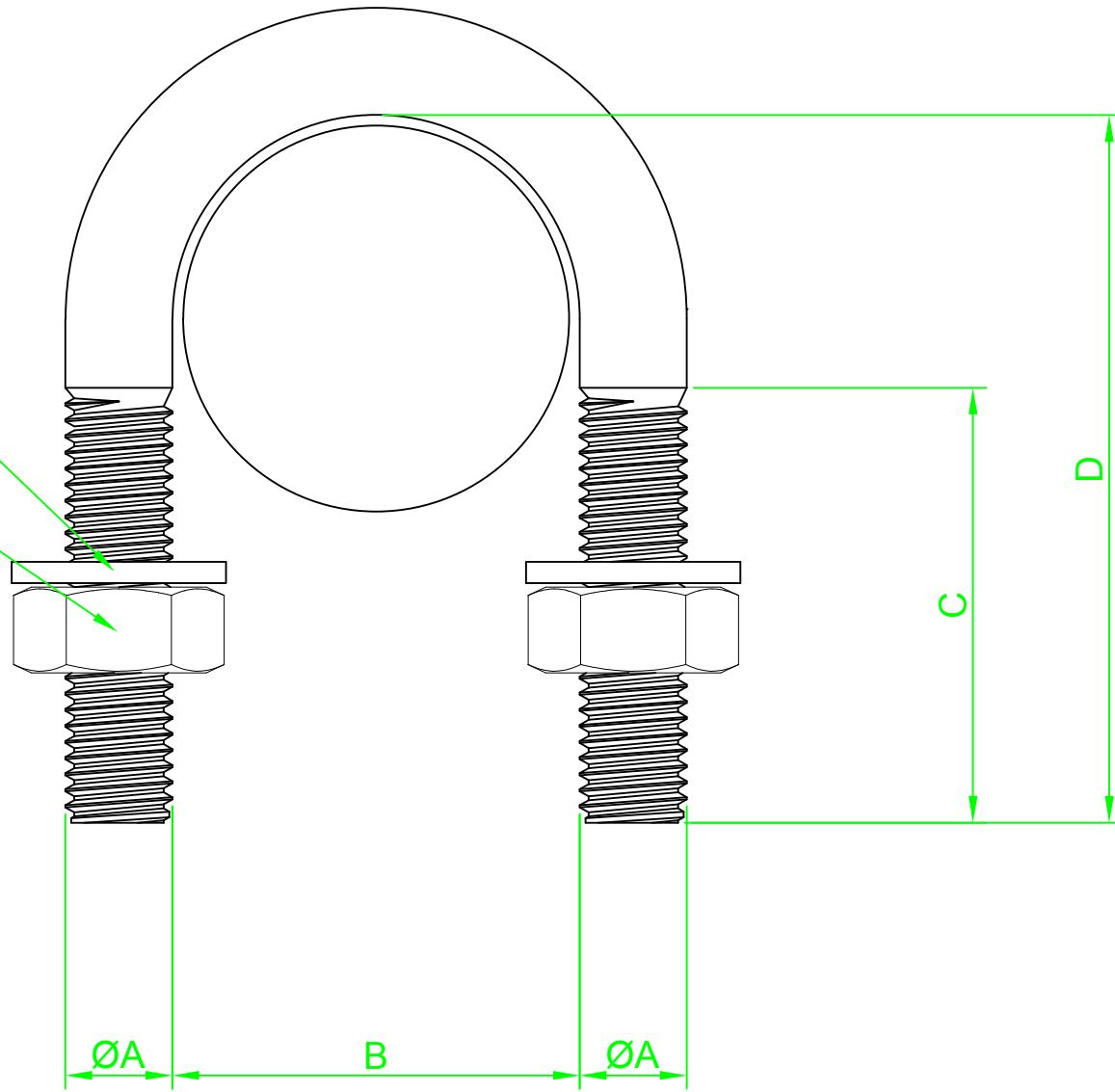


DO NOT SCALE DRAWING

Washers to DIN 125

Nuts to DIN 934



REVISION

A INITIAL DRAWING 28.01.16

Part Number	Nom Pipe Bore Ø	ØA	B	C	D	Pack Size
M6 25 UBSTNU Z10	25	M6-1.0	34	30	60	10
M10 32 UBSTNU Z5	32	M10-1.5	44	40	70	5
M10 40 UBSTNU Z5	40		51	40	80	
M10 50 UBSTNU Z5	50		61	40	90	
M12 80 UBSTNU Z5	80	M12-1.75	90	40	115	

NOTES:



UNLESS OTHERWISE SPECIFIED:  
DIMENSIONS ARE IN MM (MILLIMETERS).  
SURFACE FINISH:  
TOLERANCES: ISO 7380

MATERIAL:  
Steel

TITLE:  
U-Bolt c/w Nuts & Washers

	NAME	DATE
DRAWN	Darryl Wilson	28.01.16
CHK'D		
APPVD		

HEAT TREATMENT:

DESIGN RIGHT. TR FASTENINGS LTD, 2003  
UNDER NO CIRCUMSTANCES MUST THIS  
DRAWING BE COPIED OR DISCLOSED  
WITHOUT FIRST OBTAINING WRITTEN  
AUTHORITY.

CUSTOMER PART NUMBER:  
N/A

FINISH:  
Commercial Zinc/Clear Cr3

DRAWING NUMBER:  
TR32UBSTNUZINC

A4

