

**PLEASE CHECK WWW.MOLEX.COM FOR LATEST PART INFORMATION**

**Part Number:** **0923150630**  
**Status:** **Active**  
**Overview:** Picoflex Ribbon-Cable Connectors  
**Description:** Picoflex PF-50 IDT-to-Picoflex PF-50 IDT Cable Assembly, 0.30m Length, Tin (Sn) Plating, 6 Circuits

**Documents:**

[3D Model](#) [Product Specification PS-99020-0011-001 \(PDF\)](#)  
[Drawing \(PDF\)](#) [RoHS Certificate of Compliance \(PDF\)](#)

**Application tooling part link**

Application Tooling Part Link 62100-6000  
 Application Tooling Part Link 62100-6010

**General**

Product Family Cable Assemblies  
 Series 92315  
 Assembly Configuration Dual Ended Connectors  
 Connector to Connector Picoflex IDT-to-IDT  
 Overview Picoflex Ribbon-Cable Connectors  
 Product Name Picoflex  
 UPC 800754785907

**Physical**

Cable Length 0.30m  
 Circuits (Loaded) 6  
 Color - Resin Natural  
 Gender Female-Female  
 Lock to Mating Part None  
 Material - Metal Phosphor Bronze  
 Material - Plating Mating Tin  
 Material - Plating Termination Tin  
 Material - Resin Polyester  
 Net Weight 4.100/g  
 Number of Rows 2  
 Packaging Type Bag  
 Pitch - Mating Interface 1.27mm  
 Plating min - Mating 2.032µm  
 Plating min - Termination 2.032µm  
 Single Ended No  
 Termination Interface: Style IDT or Pierce  
 Waterproof / Dustproof No  
 Wire Insulation Diameter N/A  
 Wire Size AWG 28  
 Wire/Cable Type PVC, Ribbon Cable

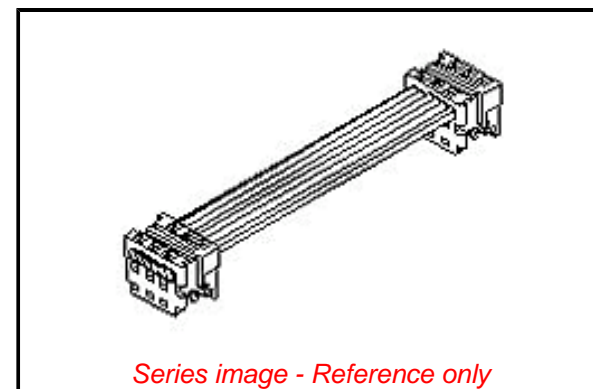
**Electrical**

Current - Maximum per Contact 1.2A  
 Shielded No  
 Voltage - Maximum 250V

**Material Info**

**Reference - Drawing Numbers**

Product Specification PS-99020-0011-001  
 Sales Drawing SD-92315-001



Series image - Reference only

**EU ELV**

**Not Relevant**

**EU RoHS**

**Compliant**

**REACH SVHC**

Not Contained Per -  
 D(2020)9139-DC (19  
 Jan 2021)

**Halogen-Free**

**Status**

**Not Low-Halogen**

For more information, please visit [Contact US](#)

China ROHS

ELV

RoHS Phthalates

**China RoHS**

Green Image

Not Relevant

Not Contained

**Search Parts in this Series**

92315 Series

**Mates With**

Picoflex PF-50 Header 90325 , 90800 ,  
90779 , 90715 , 90814

**Application Tooling | FAQ**

*Tooling specifications and manuals are found by selecting the products below. Crimp Height Specifications are then contained in the Application Tooling Specification document.*

**Global**

**Description**

**Product #**

Extractor Tool for 621006000  
 Connectors

This document was generated on 02/26/2021

**PLEASE CHECK [WWW.MOLEX.COM](http://WWW.MOLEX.COM) FOR LATEST PART INFORMATION**