

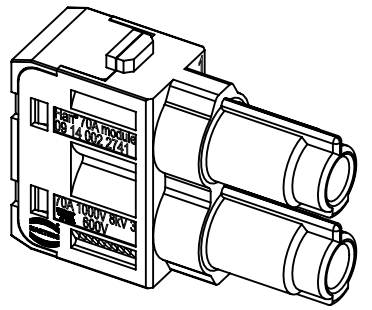
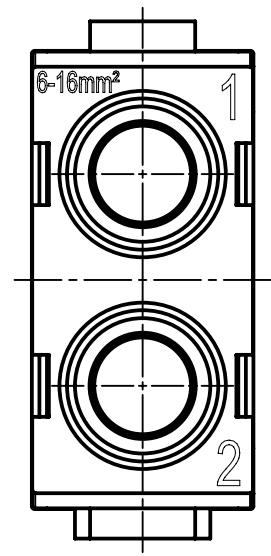
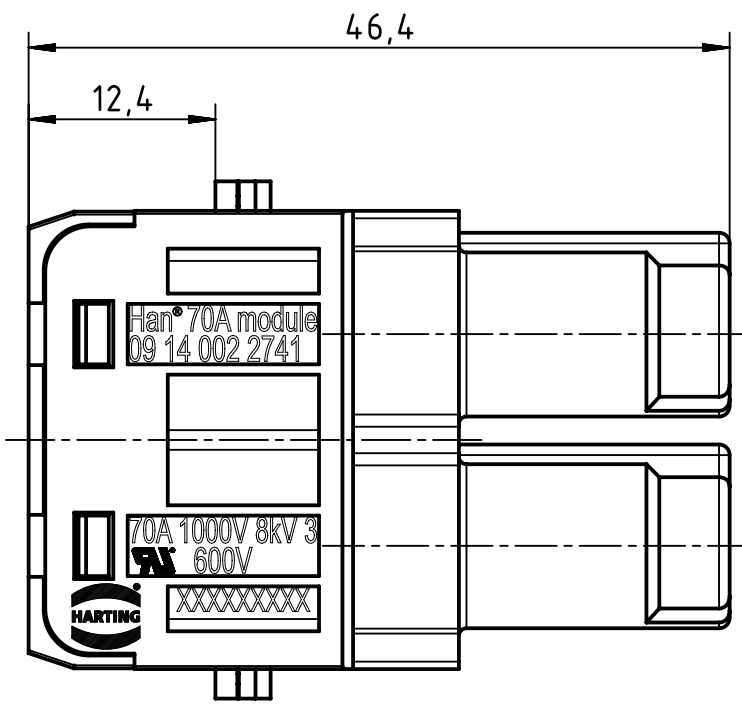
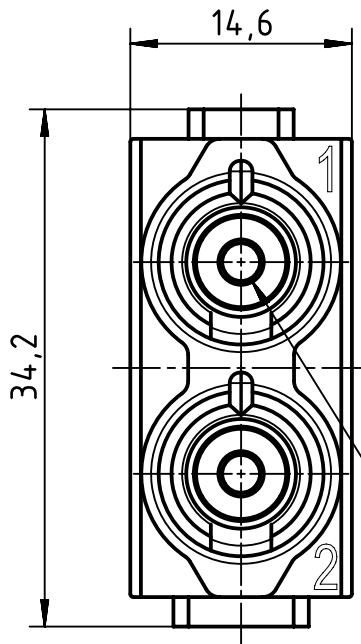
1 2 3 4 5 6

A

B

C

D



for stranded wire 6-16mm², AWG 10-6, fine wire

	All Dimensions in mm Original Size DIN A4	Scale	Free size tol.		Ref.	
		2:1			Sub.	
	All rights reserved Department EL PD	Created by	Inspected by	Standardisation	Date	State
		SPRENB	RIEPE	302077	2020-11-11	Final Release
HARTING Electric GmbH & Co. KG D-32339 Espelkamp		Title			Doc-Key / ECM-Nr.	
		Han 70A axial module, female 6-16 mm ²			100105329/UGD/010/G 500000183201	
		Type	Number		Rev.	Page
		TB	09 14 002 2741		G	1/1