

Prism jaw horizontal/vertical

Accessories for art. no.: 28848 and 28862



Application:

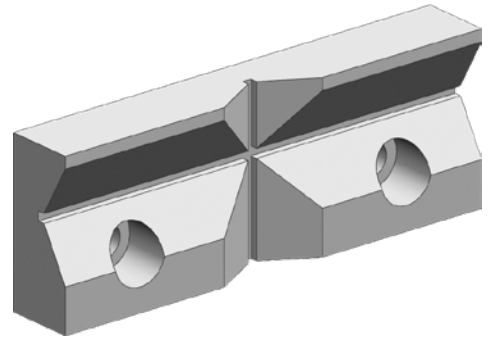
For screwing on to the fixed and moving jaw.

Execution:

- Hardened and ground.
- Horizontal and vertical vee block at 120° angle.

Delivery:

1x vee block jaw



Art. no.	28848 217
Brand	ROEMHELD
Manufacturer Part Number	530300004
Type	Vee block jaw
Jaw design	With prism, Smooth
Jaws width	160 mm
Jaws thickness	21 mm
Jaws height	54 mm
Gross Weight	1.060 kg
Product Group	283